





Mobile Crane/Grue mobile

LTM 1100-5.2



	120 USt
	171 ft
	215 ft
	276 ft

LIEBHERR

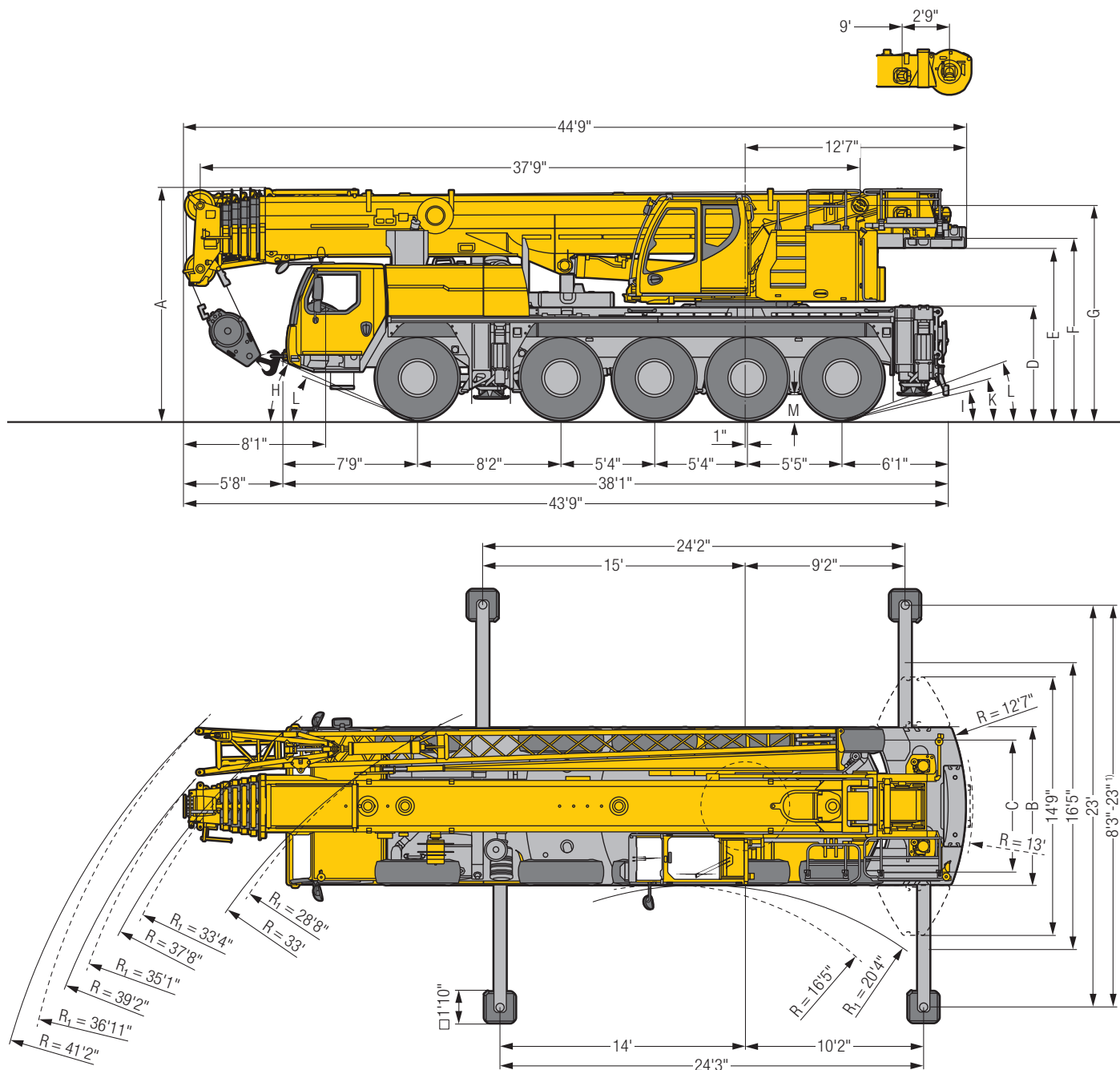
Table of content

Tables des matières

Technical Data/Caractéristiques technique

Dimensions/Encombrement	3
Mobile Crane/Grue mobile	4 – 5
Weights/Poids Working speeds/Vitesses	6
Counterweight/Contrepoids	7
Boom/jib combinations/Configurations de flèche	8
Hydraulic swing away jib/Fléchette pliante hydraulique	9
T	10 – 20
TK	21 – 23
TVK	24 – 29
TNZK	30 – 32
TVNZK	33 – 38
TK	39 – 40
Equipment/Equipement	41 – 42
Description of symbols/Explication des symboles	43


Dimensions Encombrement



US3135

R₁ = All-wheel steering · Direction toutes roues ¹⁾ only with VarioBase® · seulement avec VarioBase®

Dimensions/Encombrement

	A	A 4" *	B	C	D	E	F	G	H	I	K	L	M
	13'1"	12'10"	9'	7'7"	6'4"	9'9"	10'3"	12'2"	25°	13°	16°	21°	1'5"
445/95 R 25 (16.00 R 25)	13'1"	12'10"	9'	7'7"	6'4"	9'9"	10'3"	12'2"	25°	13°	16°	21°	1'5"
525/80 R 25 (20.5 R 25)	13'1"	12'10"	9'4"	7'7"	6'4"	9'9"	10'3"	12'2"	25°	13°	16°	21°	1'5"

* lowered · abaissé

Mobile Crane/Grue mobile

LTM 1100-5.2



171 ft



35 ft – 62 ft



2 x 23 ft



10 ft

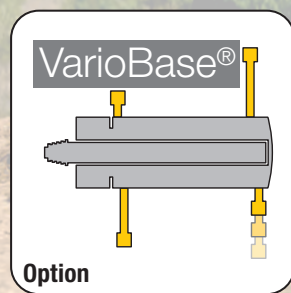


77,200 lbs

€COmode

€COdrive

only with
seulement avec **ZF-TRAXON**



Proven single cylinder
telescoping system **TELEMATIK**
Système de télescopage à un
vérin confirmé **TELEMATIK**





Weights Poids



Hook block/Moufles à crochet

Load lbs Forces de levage lbs	No. of sheaves Poulies	No. of lines Brins	Weight lbs Poids lbs
220,450	7	14	2,730
198,850	5	10	1,980
130,300	3	7	1,100
57,550	1	3	990
19,400	–	1	550

Working speeds Vitesses

Crane carrier/Châssis porteur

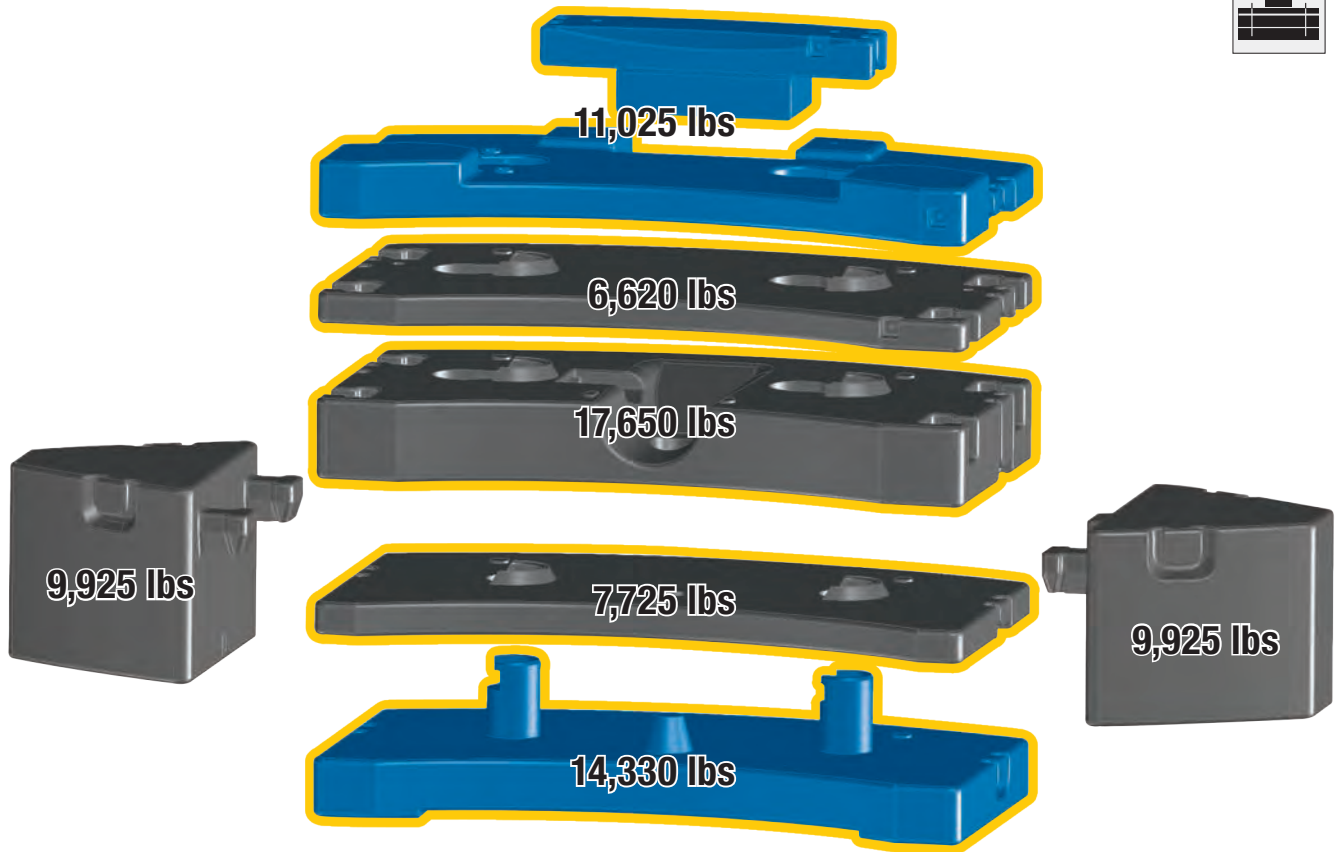
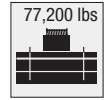
	min.	max.	%
445/95 R 25 (16.00 R 25) 525/80 R 25 (20.5 R 25)	0.3	53	55,4 %

	12 / R2
	4 / R2

Crane superstructure/Partie tournante

Drive Mécanismes	infinitely variable en continu	Rope diameter / length Diamètre / Longueur du câble	Max. single line pull Effort au brin maxi.
	0 – 426 ft/min single line ft/min au brin simple	0.83" / 656 ft	19,400 lbs
	0 – 426 ft/min single line ft/min au brin simple	0.83" / 656 ft	19,400 lbs
	0 – 2 rpm		
	approx. 40 seconds to reach 82° boom angle env. 40 s jusqu'à 82°		
	approx. 360 seconds for boom extension from 38 ft – 171 ft env. 360 s pour passer de 38 ft – 171 ft		

Counterweight Contrepoids

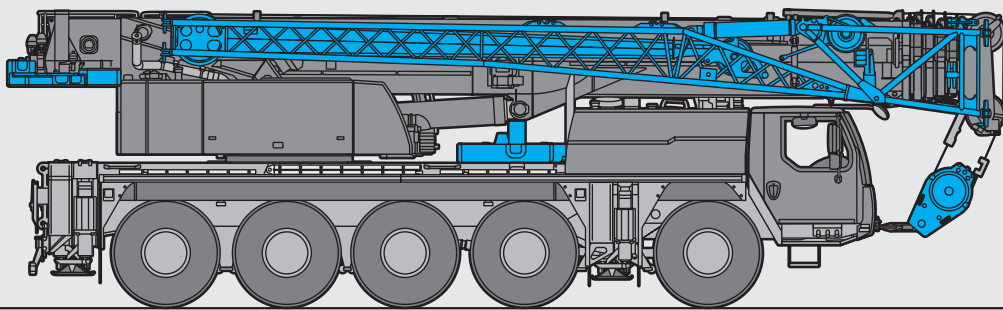


Technically transportable · Transport techniquement simplifié

Axle/Essieu

Axle Essieu	1	2	3	4	5	Total weight lbs Poids total lbs
lbs	26,400	26,400	26,400	26,400	26,400	132,000 ¹⁾

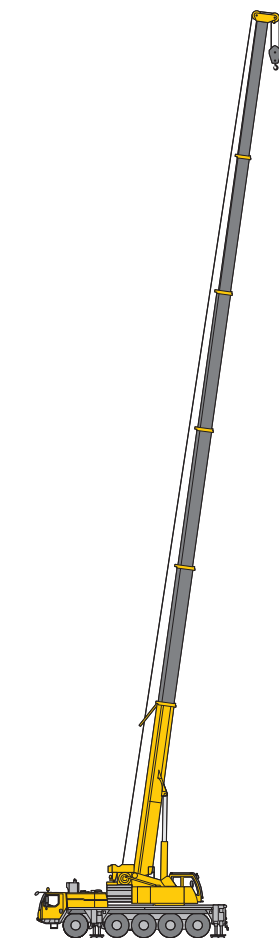
¹⁾ with 25,355 lbs counterweight and double folding jib - avec contrepoids 25,355 lbs et flèche pliante double



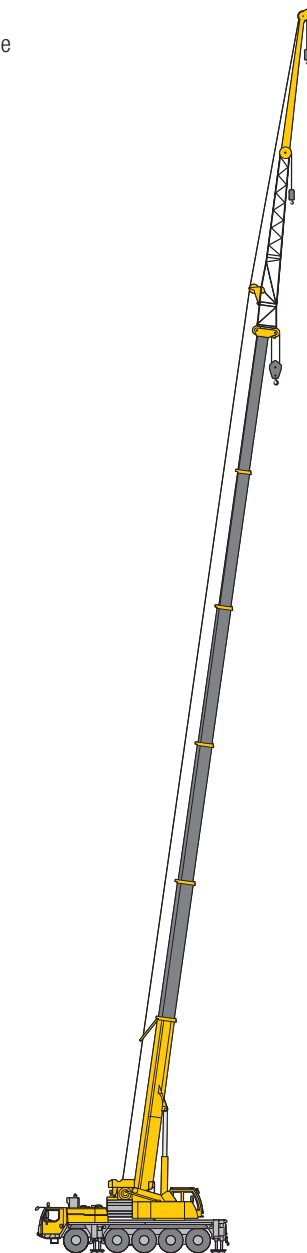
S3139

Boom/jib combinations Configurations de flèche

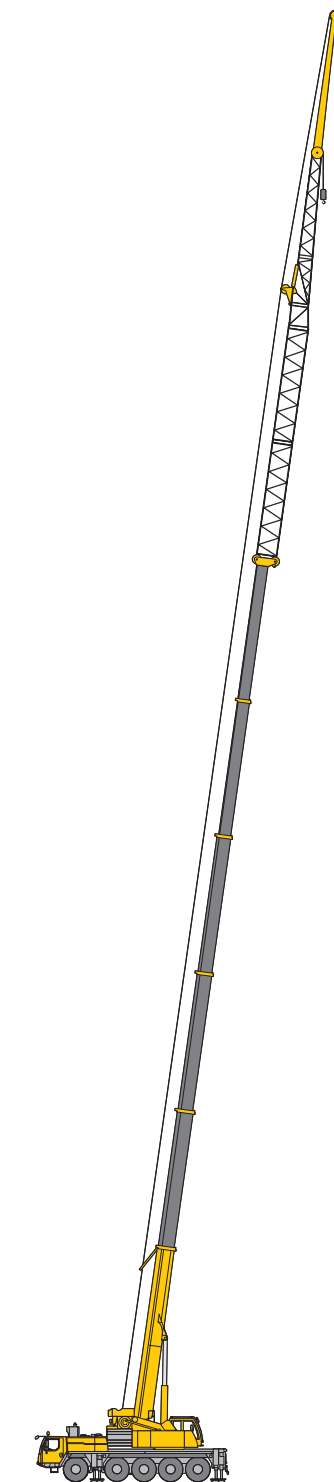
- T** Telescopic boom/Flèche télescopique
- K** Erection jib/Flechette de montage
- K**
NZK Hydraulic swing away jib/Fléchette pliante hydraulique
- V** Telescopic boom extension
Rallonge de flèche télescopique



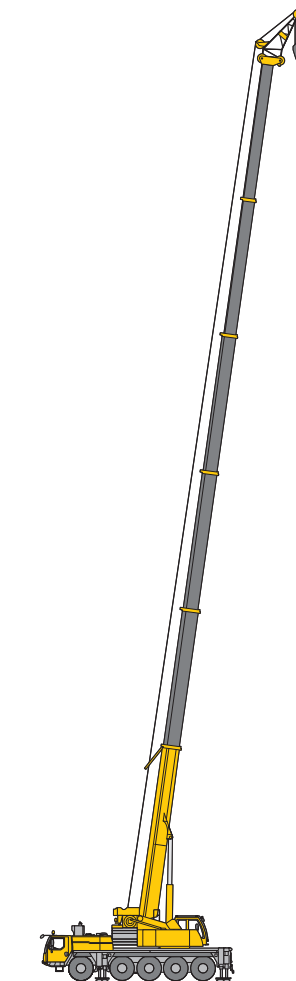
T
10 – 20



TK/TNZK
21 – 23 / 30 – 32



TVK/TVNZK
24 – 29 / 33 – 38

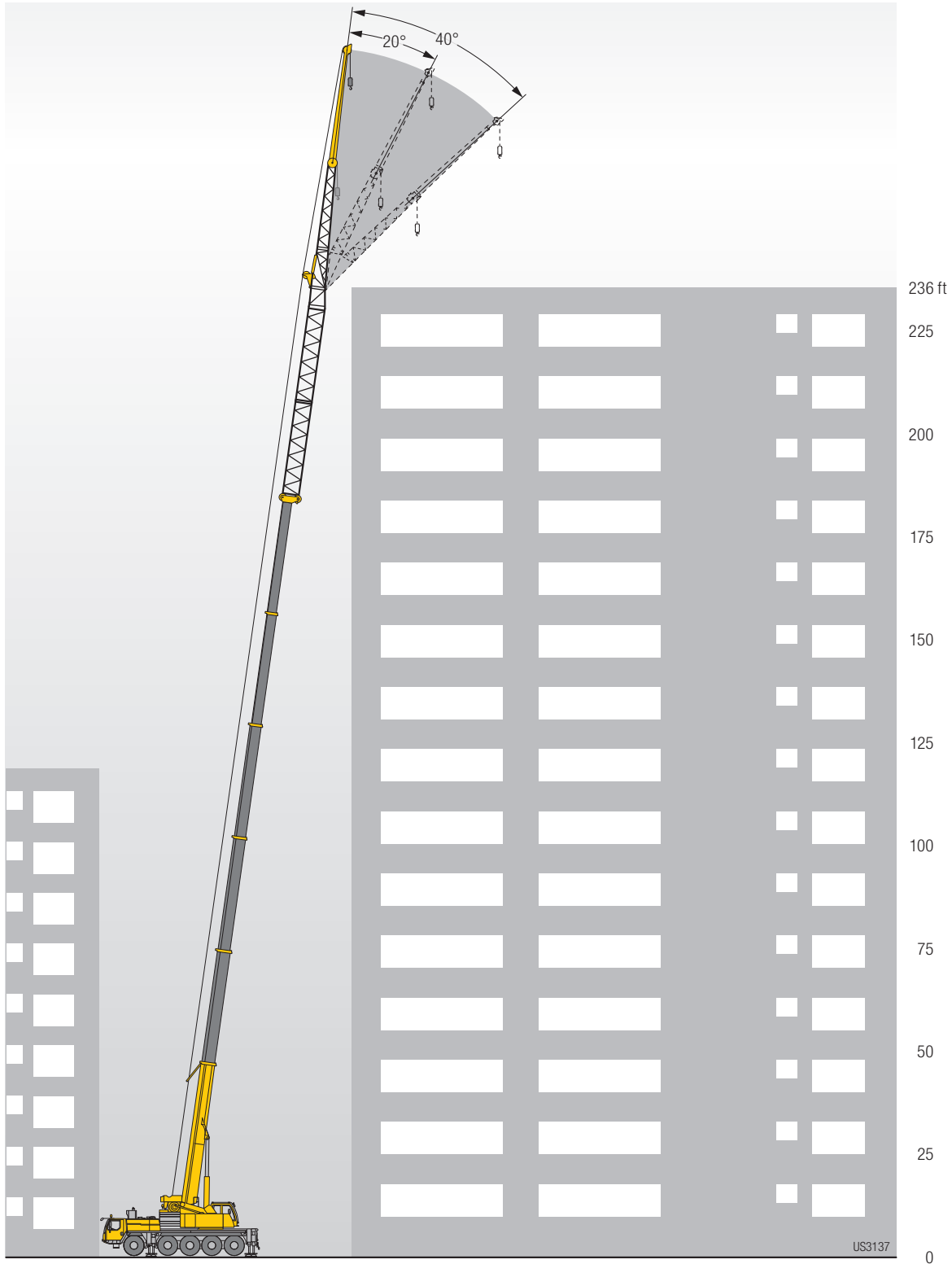


TK
39 – 40



S3136

Hydraulic swing away jib Flèche pliante hydraulique



Lifting capacities

Forces de levage

T



	* 38 ft		50 ft	62 ft	74 ft	87 ft	99 ft	111 ft	123 ft	135 ft	148 ft	160 ft	171 ft	
9	214													9
10	206.5	182.1												10
11	195.7	182.1												11
12	183.6	181.8	158.3	149.5										12
13	173	176.9	159.5	150.3	147									13
14	163.4	168.2	159	150.6	145.1									14
15	154.8	158.9	151.9	145.3	140.5	123.9								15
16	147	150.7	144.4	136.8	131.8	120.8								16
17	139.5	144.3	137.9	132.9	127.9	118	100.4							17
18	132.3	138.6	132.9	127.8	123.4	115.3	98.4							18
19	125.6	132.6	128.1	123.3	118.8	112.5	96.4							19
20	119.4	126.7	123.6	118.8	114.5	110.9	94.7	79.1	67.3					20
22	108.7	116.2	115.7	111	106.8	105.2	91.4	76.6	65.4					22
24	99.3	106.2	106.8	104.2	100.1	98.5	88.5	74	63.5	53.5				24
26	91	96.8	98.5	97.8	94.2	92.6	85.7	71.3	61.7	52.1	45.6			26
28	84.1	89	90.6	89.9	88.4	87.5	83.1	68.8	59.7	50.6	44.8			28
30	77	82.1	83.8	83.1	84.1	82.5	80.7	66.4	57.7	49.2	43.6	35		30
32			77.7	77	79.8	78.3	76.8	63.9	55.7	47.8	42.4	34.3		32
34			72.3	71.6	74.4	73.9	72.4	61.1	53.5	46.5	41.4	33.7	27.6	34
36			67.3	66.5	69.6	69.2	67.5	58.6	51.4	45.3	40.5	33.1	27	36
38			62.8	63.8	64.9	64.6	63.1	56.1	49.4	43.8	39.5	32.6	26.5	38
40			59.2	60.5	60.8	60.4	59.1	53.8	47.5	42.3	38.6	32	26	40
45				52.1	52.3	51.8	51	49.2	43.2	38.8	35.9	30.8	24.9	45
50				45.3	45.6	45.1	44.3	43.2	39.5	35.6	33.3	29.6	23.8	50
55				39.4	39.9	39.4	38.6	39.2	36.1	32.8	30.8	28	22.9	55
60					35.2	34.8	34.2	35	33.2	30.3	28.6	26.3	22	60
65					31.4	30.9	31.7	31	29.9	28.1	26.6	24.6	21.1	65
70						27.6	28.7	27.7	26.8	25.8	24.8	23	20.2	70
75						24.9	25.8	24.9	24	24.1	23.1	21.7	19.3	75
80						21.2	23.3	22.4	22.7	22.1	21.1	20.3	18.3	80
85							21.2	20.8	20.8	20	19.9	19	17.3	85
90							19.4	19.5	18.9	18.7	18.7	17.9	16.2	90
95								18.1	17.2	17.2	17.1	16.3	15.3	95
100								16.6	15.9	15.7	15.6	14.8	14.4	100
105									15	14.5	14.3	13.6	13.5	105
110									13.9	13.4	13.1	12.5	12.5	110
115									13	12.5	12.2	11.6	11.6	115
120										11.6	11.3	10.7	10.7	120
125										10.9	10.5	9.9	9.9	125
130											9.8	9.1	9.2	130
135											9.1	8.4	8.4	135
140											8.5	7.7	7.7	140
145												7	7	145
150												6.4	6.4	150
155													5.8	155
160													5.3	160

* over rear / en arrière

t_206_00032_00_000 / 60001_01_000

Lifting capacities

Forces de levage

T



	38 ft	50 ft	62 ft	74 ft	87 ft	99 ft	111 ft	123 ft	135 ft	148 ft	160 ft	171 ft	
10	182.1												10
11	182.1												11
12	181.9	158.3	149.5										12
13	179	159.5	150.3	147									13
14	169.5	159	150.6	145.1									14
15	159.2	151.9	145.3	140.5	123.9								15
16	150.7	144.4	136.8	131.8	120.8								16
17	144.3	137.9	132.9	127.9	118	100.4							17
18	138.9	132.9	127.8	123.4	115.3	98.4							18
19	133.9	128.1	123.3	118.8	112.5	96.4							19
20	128.5	123.6	118.8	114.5	110.9	94.7	79.1	67.3					20
22	117.6	115.7	111	106.8	105.2	91.4	76.6	65.4					22
24	107.6	108	104.2	100.1	98.5	88.5	74	63.5	53.5				24
26	98.4	99.7	98	94.2	92.6	85.7	71.3	61.7	52.1	45.6			26
28	90.4	92	91.3	88.9	87.5	83.1	68.8	59.7	50.6	44.8			28
30	82.8	85	84.2	84.2	82.7	80.7	66.4	57.7	49.2	43.6	35		30
32		78.4	77.7	80.2	78.3	76.8	63.9	55.7	47.8	42.4	34.3		32
34		72.5	71.8	74.8	74	72.4	61.1	53.5	46.5	41.4	33.7	27.6	34
36		67.3	66.6	69.6	69.3	67.5	58.6	51.4	45.3	40.5	33.1	27	36
38		62.8	63.8	65	64.6	63.1	56.1	49.4	43.8	39.5	32.6	26.5	38
40		59.2	60.5	60.8	60.4	59.1	53.8	47.5	42.3	38.6	32	26	40
45			52.1	52.2	51.8	51	49.2	43.2	38.8	35.9	30.8	24.9	45
50			45.3	45.5	45	44.3	43.2	39.5	35.6	33.3	29.6	23.8	50
55			39.4	40	39.6	38.7	39.2	36.1	32.8	30.8	28	22.9	55
60				35.5	35.1	34.4	35.2	33.2	30.3	28.6	26.3	22	60
65				31.6	31.1	31.9	31.2	29.9	28.1	26.6	24.6	21.1	65
70					27.8	28.8	27.9	26.9	25.8	24.8	23	20.2	70
75					25	25.9	25	24.1	24.1	23.1	21.7	19.3	75
80					21.2	23.4	22.5	22.7	22.2	21.1	20.3	18.3	80
85						21.3	20.9	20.9	20	19.9	19	17.3	85
90						19.4	19.5	18.9	18.7	18.7	17.9	16.2	90
95							18.1	17.3	17.3	17.1	16.4	15.3	95
100							16.6	15.9	15.8	15.6	14.9	14.4	100
105								15	14.5	14.3	13.6	13.5	105
110								14	13.4	13.1	12.5	12.5	110
115								13	12.5	12.2	11.6	11.6	115
120									11.6	11.3	10.7	10.7	120
125									10.9	10.5	9.9	9.9	125
130										9.8	9.1	9.2	130
135										9.1	8.4	8.4	135
140										8.5	7.7	7.7	140
145											7	7	145
150											6.4	6.4	150
155												5.8	155
160												5.3	160

t_206_60071_01_000

Lifting capacities Forces de levage

T



	38 ft	50 ft	62 ft	74 ft	87 ft	99 ft	111 ft	123 ft	135 ft	148 ft	160 ft	171 ft	
10	182.1												10
11	182.1												11
12	181.7	158.3	149.5										12
13	174.9	159.5	150.3	147									13
14	166.2	159	150.6	145.1									14
15	157.9	151.9	145.3	140.5	123.9								15
16	150	144.4	136.8	131.8	120.8								16
17	142.5	137.9	132.9	127.9	118	100.4							17
18	135.6	132.9	127.8	123.4	115.3	98.4							18
19	128.9	127.9	123.3	118.8	112.5	96.4							19
20	122.1	122.9	118.8	114.5	110.9	94.7	79.1	67.3					20
22	110	110.7	110.8	106.8	105.2	91.4	76.6	65.4					22
24	99.7	101.3	100.5	98.3	97.1	88.5	74	63.5	53.5				24
26	90.8	92.5	91.8	92.2	89.6	84.6	71.3	61.7	52.1	45.6			26
28	82.9	84.6	83.9	86	81.9	77.3	68.8	59.7	50.6	44.8			28
30	75.7	77.6	76.8	78.8	75	70.9	66	57.7	49.2	43.6	35		30
32		71.3	72.2	72.5	69	65.6	61.8	55.7	47.8	42.4	34.3		32
34		65.9	67.8	67	64	60.6	58.3	53.5	46.5	41.4	33.7	27.6	34
36		61.7	63.1	62.3	59.6	56.5	54.5	51.1	45.3	40.5	33.1	27	36
38		57.3	58.7	58.1	55.5	52.9	50.8	48.2	43.8	39.5	32.6	26.5	38
40		53.3	54.7	54.3	51.9	49.6	48.4	45.4	42.3	38.6	32	26	40
45			46.5	46.6	44.6	42.9	42.3	40.1	38.1	35.9	30.8	24.9	45
50			40	40.2	38.8	39.1	36.9	34.8	34.1	32.7	29.6	23.8	50
55			34.9	35.1	34.2	34.5	32.5	31	30.6	29	28	22.9	55
60				30.9	30.7	30.7	29.2	28.3	27.2	27	25.8	22	60
65				27.4	27.1	27.7	26.5	25.9	25.3	24.6	23.3	21.1	65
70					24.2	24.9	24	23.3	22.8	22.2	20.9	20.2	70
75					21.6	22.3	22.5	21.1	20.8	20.1	18.8	18.5	75
80					19.5	20.1	20.5	19.8	19	18.2	16.9	16.7	80
85						18.7	18.5	18.4	17.3	16.5	15.3	15.1	85
90						17.4	16.8	16.6	15.8	15.1	13.8	13.6	90
95							15.2	15	14.3	13.7	12.6	12.3	95
100							14	13.7	12.9	12.5	11.4	11.2	100
105								12.5	11.8	11.4	10.4	10.2	105
110								11.5	10.8	10.4	9.4	9.2	110
115								10.6	9.9	9.4	8.6	8.4	115
120									9.1	8.6	7.8	7.6	120
125									8.4	7.9	7	6.9	125
130										7.1	6.3	6.2	130
135										6.4	5.6	5.6	135
140										5.8	4.9	4.9	140
145											4.4	4.4	145
150											3.8	3.8	150
155												3.3	155
160												2.9	160

t_206_60002_01_000

Lifting capacities

Forces de levage

T



	38 ft	50 ft	62 ft	74 ft	87 ft	99 ft	111 ft	123 ft	135 ft	148 ft	160 ft	171 ft	
10	182.1												10
11	182.1												11
12	181.9	158.3	149.5										12
13	177.9	159.5	150.3	147									13
14	169.3	159	150.6	145.1									14
15	159.2	151.9	145.3	140.5	123.9								15
16	150.7	144.4	136.8	131.8	120.8								16
17	144	137.9	132.9	127.9	118	100.4							17
18	137.4	132.9	127.8	123.4	115.3	98.4							18
19	130.4	128.1	123.3	118.8	112.5	96.4							19
20	123.8	123.5	118.8	114.5	110.9	94.7	79.1	67.3					20
22	111.8	112.5	110.9	106.8	105.2	91.4	76.6	65.4					22
24	101.1	102.8	102.1	98.3	97.1	88.5	74	63.5	53.5				24
26	91.1	93.1	92.3	92.2	89.6	84.6	71.3	61.7	52.1	45.6			26
28	82.9	84.7	83.9	86	81.9	77.3	68.8	59.7	50.6	44.8			28
30	75.6	77.6	76.8	78.8	75	70.9	66	57.7	49.2	43.6	35		30
32		71.2	72.2	72.5	69	65.6	61.8	55.7	47.8	42.4	34.3		32
34		65.8	67.8	67	64	60.6	58.3	53.5	46.5	41.4	33.7	27.6	34
36		61.8	63	62.3	59.6	56.5	54.5	51.1	45.3	40.5	33.1	27	36
38		57.5	58.8	58.1	55.5	52.9	50.8	48.2	43.8	39.5	32.6	26.5	38
40		53.7	55.1	54.3	51.9	49.6	48.4	45.4	42.3	38.6	32	26	40
45			46.8	46.7	44.6	42.9	42.3	40.1	38.1	35.9	30.8	24.9	45
50			40.2	40.4	38.8	39.1	36.9	34.8	34.1	32.7	29.6	23.8	50
55			35	35.2	34.2	34.5	32.5	31	30.6	29	28	22.9	55
60				30.9	30.7	30.7	29.2	28.3	27.2	27	25.8	22	60
65				27.4	27.1	27.7	26.5	25.9	25.3	24.6	23.3	21.1	65
70					24.1	24.9	24	23.3	22.8	22.2	20.9	20.2	70
75					21.6	22.3	22.5	21.1	20.8	20.1	18.8	18.5	75
80					19.4	20.1	20.5	19.8	19	18.3	17	16.8	80
85						18.7	18.5	18.4	17.3	16.6	15.4	15.2	85
90						17.4	16.8	16.6	15.9	15.2	14	13.8	90
95							15.3	15.1	14.4	13.9	12.7	12.5	95
100							14.1	13.7	13	12.6	11.6	11.4	100
105								12.6	11.9	11.5	10.6	10.3	105
110								11.6	10.9	10.5	9.6	9.4	110
115								10.8	10	9.6	8.8	8.6	115
120									9.3	8.8	8	7.8	120
125									8.5	8	7.2	7.1	125
130										7.3	6.4	6.4	130
135										6.6	5.7	5.8	135
140										6	5.1	5.1	140
145											4.5	4.5	145
150											4	4	150
155												3.5	155
160												3.1	160

t_206_60072_01_000

Lifting capacities Forces de levage

T



	38 ft	50 ft	62 ft	74 ft	87 ft	99 ft	111 ft	123 ft	135 ft	148 ft	160 ft	171 ft	
10	180.5												10
11	175.2												11
12	165.2	143.9	135.9										12
13	155.9	145	136.7	133.6									13
14	147.1	144.5	137.4	131.9									14
15	138.9	138.1	137.6	128.5	112.6								15
16	130.3	130.3	129.4	124.2	109.8								16
17	122	122.7	121.9	119.9	107.2	91.2							17
18	114.6	115.5	115.4	113.7	104	89.5							18
19	108	108.9	109.1	105.6	99.6	87.7							19
20	102	103.5	102.8	98.2	95.1	86.1	71.9	61.1					20
22	90.7	92.4	91.5	91.5	86.4	80.3	69.7	59.5					22
24	81	82.6	81.8	82.1	77.3	72.3	66.8	57.7	48.6				24
26	72.4	74.3	76.4	73.9	69.7	65.4	61.5	56.1	47.3	41.5			26
28	65.1	67.3	69.1	67	63.4	59.5	56.9	53.1	46	40.7			28
30	58	61.2	62.5	61.1	57.9	54.8	52.2	49.1	44.8	39.6	31.8		30
32		54.7	56.3	55.9	53.1	50.5	49.2	46.3	43.4	38.6	31.2		32
34		49.4	50.9	51.2	49.1	47.2	45.9	43.1	40.6	37.6	30.6	25.1	34
36		44.9	46.3	46.7	45.5	44.9	42.6	39.8	38.1	36.3	30.1	24.6	36
38		41.1	42.5	42.8	42.5	42.2	39.5	37.5	36.4	34.4	29.6	24.1	38
40		37.8	39.2	39.4	39.3	39.3	37.2	35.7	34.1	32	29.1	23.7	40
45			32.3	32.6	32.5	33.3	31.9	30.5	29.3	29.1	27.2	22.6	45
50			27.1	28.4	27.2	28	27.8	27.5	26.3	25.2	23.5	21.7	50
55			23.1	24.3	23.1	24.4	24.4	24.2	22.9	21.9	20.5	20	55
60				21	20.6	21.6	21.3	21.1	20	19.2	17.8	17.4	60
65				18.4	18.5	18.9	18.6	18.4	17.7	16.9	15.6	15.3	65
70					16.4	16.7	16.4	16.2	15.7	14.9	13.7	13.4	70
75					14.5	14.8	14.5	14.3	13.8	13.2	12	11.8	75
80					13	13.2	12.9	12.8	12.2	11.7	10.6	10.4	80
85						11.9	11.6	11.4	10.8	10.4	9.3	9.1	85
90						10.7	10.3	10.1	9.5	9.1	8.2	8	90
95							9.2	9	8.4	8	7.2	7	95
100							8.2	8	7.4	7.1	6.3	6.1	100
105								7.2	6.5	6.2	5.4	5.3	105
110								6.4	5.7	5.4	4.6	4.6	110
115								5.7	5.1	4.7	3.9	4	115
120									4.4	4	3.3	3.3	120
125									3.9	3.5	2.7	2.7	125
130										2.9	2.2	2.2	130
135										2.4			135
140										2.1			140

t_206_00005_00_000

Lifting capacities

Forces de levage

T



	38 ft	50 ft	62 ft	74 ft	87 ft	99 ft	111 ft	123 ft	135 ft	148 ft	160 ft	171 ft	
10	181.7												10
11	178.7												11
12	169	143.9	135.9										12
13	158.8	145	136.7	133.6									13
14	149.3	144.7	137.4	131.9									14
15	140.5	139.2	137.8	128.5	112.6								15
16	132.2	132	131.3	124.2	109.8								16
17	124.1	124.8	123.3	120.3	107.2	91.2							17
18	116.6	117.4	117.3	113.9	104	89.5							18
19	109.4	110.3	110.4	105.6	99.6	87.7							19
20	102.5	104.2	103.5	98.2	95.1	86.1	71.9	61.1					20
22	90.7	92.4	91.5	91.5	86.4	80.3	69.7	59.5					22
24	80.9	82.5	81.7	82.1	77.3	72.3	66.8	57.7	48.6				24
26	72.6	74.4	76.3	73.9	69.7	65.4	61.5	56.1	47.3	41.5			26
28	65.5	67.5	69.4	67	63.4	59.5	56.9	53.1	46	40.7			28
30	58	61.2	62.7	61.1	57.9	54.8	52.2	49.1	44.8	39.6	31.8		30
32		54.7	56.3	55.9	53.1	50.5	49.2	46.3	43.4	38.6	31.2		32
34		49.4	50.9	51.2	49.1	47.2	45.9	43.1	40.8	37.6	30.6	25.1	34
36		44.9	46.3	46.7	45.5	44.9	42.7	40.1	38.1	36.5	30.1	24.6	36
38		41.1	42.5	42.8	42.6	42.3	39.7	37.5	36.6	34.8	29.6	24.1	38
40		37.8	39.2	39.4	39.3	39.5	37.4	35.8	34.6	32.6	29.1	23.7	40
45			32.4	32.6	32.5	33.4	32.5	31.1	29.6	29.1	27.6	22.6	45
50			27.4	28.6	27.4	28.3	28	27.6	26.7	25.9	24.3	21.7	50
55			23.5	24.6	23.5	24.5	24.7	24.8	23.6	22.7	21.2	20.7	55
60				21.5	20.6	22	21.6	21.6	20.8	20	18.6	18.2	60
65				18.9	18.9	19.4	19.1	18.9	18.4	17.7	16.4	16	65
70					16.9	17.2	16.9	16.7	16.2	15.7	14.5	14.1	70
75					15.1	15.3	15	14.9	14.4	14	12.8	12.5	75
80					13.5	13.8	13.5	13.3	12.8	12.3	11.4	11.1	80
85						12.4	12.1	11.9	11.4	11	10.1	9.8	85
90						11.2	10.9	10.7	10.1	9.7	8.9	8.7	90
95							9.8	9.5	9	8.6	7.8	7.7	95
100							8.8	8.6	8	7.6	6.9	6.8	100
105								7.7	7.1	6.7	6	6	105
110									6.9	6.3	5.9	5.2	110
115									6.2	5.6	5.2	4.5	115
120										4.9	4.6	3.8	120
125										4.4	3.9	3.2	125
130											3.4	2.7	130
135											2.9	2.2	135
140											2.5		140

t_206_00075_00_000

Lifting capacities Forces de levage

T



	38 ft	50 ft	62 ft	74 ft	87 ft	99 ft	111 ft	123 ft	135 ft	148 ft	160 ft	171 ft	
10	180.2												10
11	174.2												11
12	164.1	143.9	135.9										12
13	154.3	145	136.7	133.6									13
14	145.5	144	137.2	131.9									14
15	135.8	135.3	135	127.6	112.6								15
16	126.7	126.8	125.9	119.6	109.8								16
17	118.7	119.4	119.5	112	103.9	91.2							17
18	111.5	112.3	112.2	103.8	98.8	89.5							18
19	104.7	106.2	104.5	97.7	94.8	87.7							19
20	98.2	99.9	96.8	94.8	89.4	82.8	71.9	61.1					20
22	86.9	88.6	85.9	84	78.8	73.6	68.4	59.5					22
24	77	78.7	78.6	74.9	70.4	65.8	62.6	57.5	48.6				24
26	68.2	70.1	70.4	67.3	63.4	59.8	56.6	53.1	47.3	41.5			26
28	59.6	62.7	63.5	60.9	57.7	54.3	52.4	49.2	45.5	40.7			28
30	52.5	55.7	57.2	55.5	52.5	50.8	48.5	45.3	42.5	39.6	31.8		30
32		49.7	51.3	50.7	48.3	47.5	44.4	41.9	40.2	37.8	31.2		32
34		44.8	46.3	46.4	44.4	43.7	41.5	39.5	37.5	35.2	30.6	25.1	34
36		40.7	42.1	42.4	40.9	40.5	38.7	36.7	34.8	32.6	30.1	24.6	36
38		37	38.6	38.8	37.8	37.5	35.8	34	32.2	31.1	29.6	24.1	38
40		33.8	35.3	35.5	35	34.8	33.4	32.2	30.9	30.1	28.1	23.7	40
45			28.9	30.1	28.8	29.5	29.1	28.4	26.8	25.5	23.9	22.5	45
50			24	25.2	24.2	25.9	25.3	24.4	23	22	20.4	19.9	50
55			20.3	21.5	21.7	22.1	21.8	21.2	19.9	19	17.6	17.1	55
60				18.5	18.7	19	18.8	18.5	17.3	16.5	15.2	14.8	60
65				16.1	16.3	16.7	16.3	16.1	15.2	14.4	13.1	12.9	65
70					14.3	14.6	14.3	14.1	13.4	12.6	11.4	11.2	70
75					12.6	12.9	12.6	12.4	11.7	11.1	9.9	9.7	75
80					11.2	11.5	11.1	11	10.3	9.8	8.6	8.4	80
85						10.1	9.8	9.6	9	8.6	7.4	7.3	85
90						9	8.6	8.4	7.9	7.5	6.4	6.3	90
95							7.7	7.4	6.8	6.5	5.5	5.4	95
100							6.8	6.5	5.9	5.6	4.7	4.6	100
105								5.8	5.1	4.8	4	3.8	105
110								5.1	4.4	4.1	3.3	3.2	110
115								4.5	3.8	3.4	2.7	2.6	115
120									3.2	2.8	2.1	2	120
125									2.8	2.3			125
130										1.8			130

t_206_00006_00_000

Lifting capacities

Forces de levage

T



	38 ft	50 ft	62 ft	74 ft	87 ft	99 ft	111 ft	123 ft	135 ft	148 ft	160 ft	171 ft	
10	181.4												10
11	177.9												11
12	167.3	143.9	135.9										12
13	156.6	145	136.7	133.6									13
14	147.1	144.4	137.4	131.9									14
15	137.9	137.1	137.1	127.6	112.6								15
16	128.9	129	128.1	119.6	109.8								16
17	120.7	121.3	121.5	112	103.9	91.2							17
18	112.6	113.5	113.1	103.8	98.8	89.5							18
19	105	106.2	104.9	97.7	94.8	87.7							19
20	98.2	99.9	96.8	94.8	89.4	82.8	71.9	61.1					20
22	86.8	88.5	85.9	84	78.8	73.6	68.4	59.5					22
24	77.3	79	78.6	74.9	70.4	65.8	62.6	57.5	48.6				24
26	68.2	70.6	70.4	67.3	63.4	59.8	56.6	53.1	47.3	41.5			26
28	59.6	62.7	63.5	60.9	57.7	54.3	52.4	49.4	45.7	40.7			28
30	52.5	55.7	57.2	55.5	52.6	50.8	48.7	45.7	43.1	39.6	31.8		30
32		49.7	51.3	50.8	48.5	47.7	44.9	42	40.2	38.4	31.2		32
34		44.8	46.3	46.7	44.8	44.2	41.9	40	38.2	36.1	30.6	25.1	34
36		40.7	42.1	42.4	41.5	41.1	39.4	37.4	35.6	33.5	30.1	24.6	36
38		37.2	38.6	38.8	38.5	38.3	36.6	34.9	33.2	31.2	29.6	24.1	38
40		34.1	35.5	35.7	35.6	35.7	34.3	32.7	31.4	30.6	28.8	23.7	40
45			29.4	30.6	29.4	30.2	30	29.1	27.8	26.6	25	22.6	45
50			24.6	25.9	24.7	26.3	26	25.4	24.1	23.1	21.5	21	50
55			21	22.2	22	22.8	22.5	22.2	21	20.1	18.7	18.2	55
60				19.3	19.5	19.8	19.5	19.3	18.4	17.6	16.3	15.9	60
65				16.9	17	17.4	17.1	16.9	16.2	15.5	14.2	13.9	65
70					15	15.4	15	14.9	14.3	13.7	12.5	12.2	70
75					13.4	13.6	13.4	13.2	12.6	12.1	10.9	10.7	75
80					12	12.2	11.9	11.7	11.1	10.7	9.6	9.4	80
85						10.9	10.5	10.4	9.8	9.4	8.4	8.2	85
90						9.8	9.4	9.2	8.6	8.3	7.3	7.2	90
95							8.4	8.2	7.6	7.2	6.4	6.2	95
100							7.5	7.2	6.6	6.3	5.5	5.4	100
105								6.4	5.8	5.5	4.7	4.7	105
110								5.7	5.1	4.7	4	4	110
115								5.1	4.5	4.1	3.3	3.4	115
120									3.9	3.5	2.7	2.8	120
125									3.3	2.9	2.2	2.2	125
130										2.4			130
135										2			135

t_206_00076_00_000

Lifting capacities Forces de levage

T



	38 ft	50 ft	62 ft	74 ft	87 ft	99 ft	111 ft	123 ft	135 ft	148 ft	160 ft	171 ft	
10	178.7												10
11	169.5												11
12	157.8	143.9	135.6										12
13	145.1	144.7	132.5	116.9									13
14	134.2	132.9	118.8	108.6									14
15	124.4	117.9	107.9	99.4	95.1								15
16	114.8	107.6	100.2	94.7	87.1								16
17	105.2	98.4	93.7	87.1	80.3	73.7							17
18	95.7	89.9	86	80.3	74	68							18
19	87.1	82.7	79.7	74.2	68.7	62.7							19
20	79.8	76.9	73.4	68.5	63.7	59.9	55.7	51.1					20
22	67.3	65.4	62.7	58.9	55	53.2	49.7	46.3					22
24	56.3	56.1	54.4	51.8	48.3	46.9	44.1	41.3	38.5				24
26	46.9	48.9	47.8	47.1	42.7	41.8	40.6	38.2	35.8	34.1			26
28	39.9	43.1	42.6	42.2	38.3	38.8	36.9	35	32.7	30.8			28
30	34.3	37.7	38.1	37.9	35.9	35.4	33.4	31.8	29.7	27.9	25.8		30
32		33	34.3	34.3	33.1	32.3	30.5	29	27	25.5	23.5		32
34		29.2	30.9	31.2	30.2	29.5	27.9	26.6	24.7	23.4	21.5	20.8	34
36		26	27.7	28.6	27.7	27.1	25.7	24.4	22.7	21.5	19.7	19.1	36
38		23.4	25	26.2	25.5	25	23.6	22.5	20.9	19.8	18.1	17.5	38
40		21	22.7	24	23.5	23.1	21.9	20.9	19.3	18.2	16.6	16.1	40
45			18	19.3	19.4	19.2	18.1	17.3	16	15	13.5	13.1	45
50			14.6	15.8	16	16.2	15.2	14.5	13.3	12.4	11	10.7	50
55			11.9	13.1	13.4	13.7	12.8	12.2	11.1	10.3	9	8.7	55
60				11	11.2	11.6	10.9	10.3	9.2	8.6	7.3	7.1	60
65				9.2	9.4	9.8	9.3	8.7	7.7	7.1	5.9	5.7	65
70					7.8	8.2	7.9	7.4	6.4	5.8	4.6	4.5	70
75					6.6	6.9	6.6	6.2	5.3	4.7	3.5	3.4	75
80					5.6	5.8	5.5	5.2	4.3	3.7	2.4	2.3	80
85					4.9	4.5	4.5	4.3	3.4	2.8			85
90					4.1	3.7	3.7	3.5	2.6	1.8			90
95						3	3	2.8	1.8				95
100							2.4	2.1					100

t_206_00009_00_000

Remarks referring to load charts

- The lifting capacities do not exceed 85 % of the tipping load according to ASME B 30.5. The crane's structural steelwork is in accordance with EN 13000 and ASME B 30.5.
- For the calculation of the load charts at least a wind speed of 30 ft/s (9 m/s, 20 mph) and regarding the load a sail area of 1 m² per ton load and a wind resistance coefficient of 1.2 on the load have been taken into account. For lifting of loads with large sail areas and/or high wind resistance coefficients the maximum wind speed as stated in the load charts has to be reduced.
- Lifting capacities are given in kips.
- The weight of the hook blocks and hooks must be deducted from the lifting capacities.
- Working radii are measured from the slewing centre.
- The lifting capacities given for the telescopic boom only apply if the folding jib is taken off.
- Lifting capacities above 182,100 lbs/215,400 lbs only with additional pulley block/special equipment.
- The data of this brochure serves only for general information. All information is provided without warranty. Instructions for the correct commissioning of the crane please take from the operation manual and the load chart book.

Remarques relatives aux tableaux des charges

- La capacité de charge ne doit pas dépasser 85 % de la charge de basculement conformément à ASME B 30.5. La structure métallique de la grue est conforme à EN 13000 et ASME B 30.5.
- Une vitesse de vent de 30 ft/s (9 m/s, 20 mph) minimum, une surface de prise au vent de 1 m² par tonne ainsi qu'un coefficient de résistance au vent de la charge 1,2 sont pris en compte pour le calcul des tableaux de charge. Lorsque des charges ayant une surface de prise au vent et/ou un coefficient de résistance au vent plus élevé(e)(s) sont levées, la vitesse de vent maximale indiquée dans les tableaux de charge doit être réduite.
- Les forces de levage sont données en kips.
- Les poids des mouffes et crochets doit être soustrait des charges indiquées.
- Les portées sont calculées à partir de l'axe de rotation.
- Les forces indiquées pour la flèche télescopique s'entendent fléchette dépliable déposée.
- Forces de levage plus de 182,100 lbs/215,400 lbs seulement avec moufle additionnel/équipement supplémentaire.
- Les données de cette brochure sont données à titre informatif. Ces renseignements sont sans garantie. Les consignes relatives à la bonne mise en service de la grue sont disponibles dans le manuel d'utilisation et le manuel de tableaux de charge.

Lifting capacities Forces de levage

T

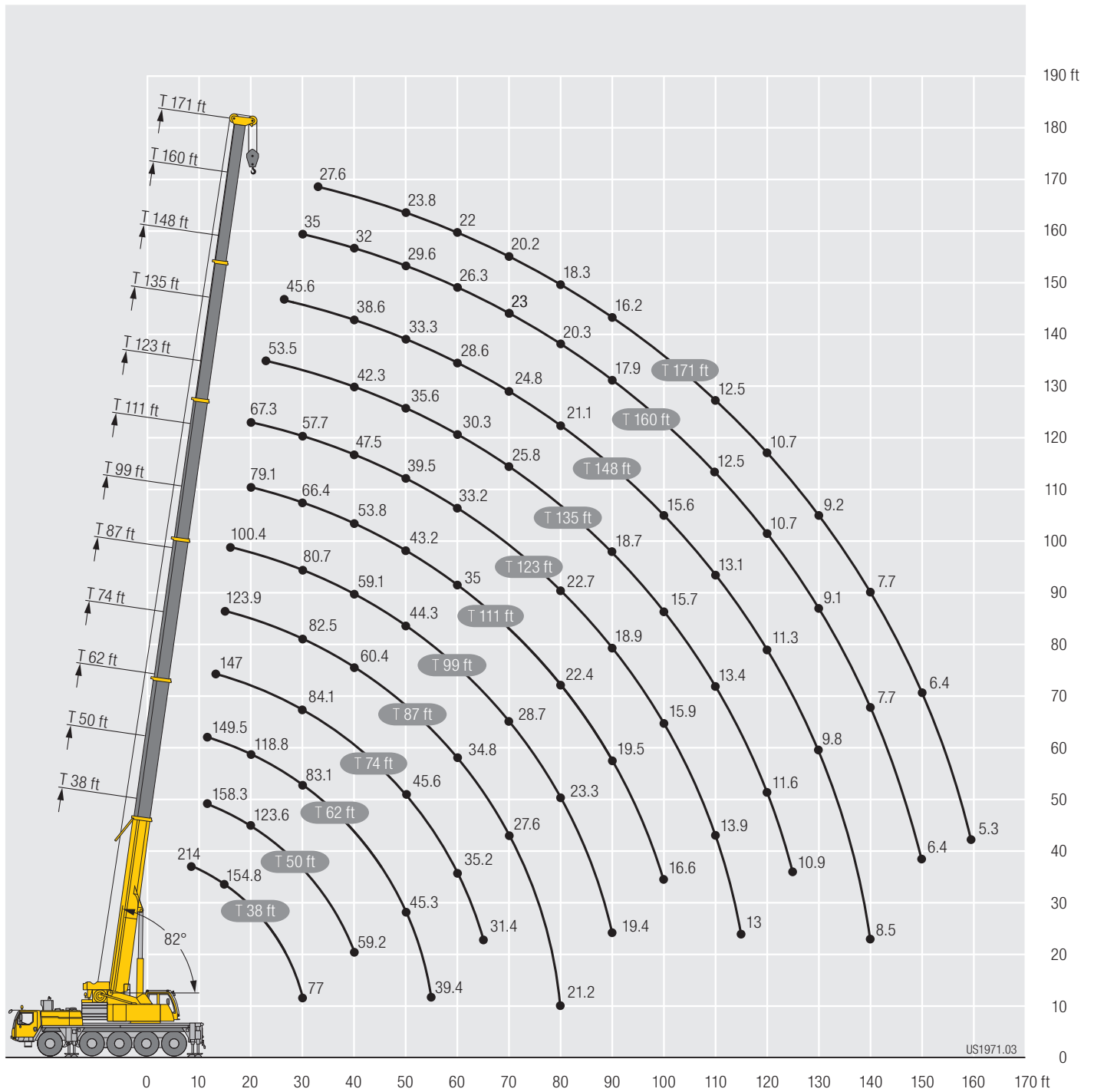


	38 ft	50 ft	62 ft	74 ft	87 ft	99 ft	111 ft	123 ft	135 ft	148 ft	160 ft	171 ft	
10	179.6												10
11	172.1												11
12	159.8	143.9	135.6										12
13	147.8	144.7	132.5	116.9									13
14	136.6	133	118.8	108.6									14
15	125.1	117.9	107.9	99.4	95.1								15
16	114.8	107.6	100.2	94.7	87.1								16
17	105.1	98.4	93.7	87.1	80.3	73.9							17
18	95.7	89.9	86	80.3	74.2	68.7							18
19	87.1	82.7	79.7	74.4	69.3	63.8							19
20	79.8	76.9	73.5	69.1	64.8	60.9	57.4	53.1					20
22	67.5	66.4	63.9	60.4	56.9	55.1	51.9	48.2					22
24	56.5	58	56.3	53.6	50.5	49.2	46.5	43.8	41.1				24
26	47.9	51.1	50.1	48.6	45.2	44.3	41.9	39.7	37.3	35.3			26
28	41.5	44.6	44.9	44.6	40.9	40.1	39.1	37.1	35	33.5			28
30	36.2	39.3	40.7	40.5	37.1	37.6	36	34.4	32.3	30.6	28.5		30
32		34.9	36.6	37	34.7	34.9	33.1	31.6	29.7	28.2	26.2		32
34		31.2	32.8	33.9	32.6	32.1	30.5	29.2	27.4	26	24.2	23.5	34
36		28.1	29.7	31	30.3	29.7	28.3	27	25.3	24.1	22.3	21.6	36
38		25.4	27	28.3	28.1	27.6	26.2	25	23.5	22.3	20.6	19.9	38
40		23.1	24.7	25.9	26	25.6	24.4	23.4	21.8	20.7	19	18.5	40
45			20	21.2	21.4	21.6	20.5	19.7	18.3	17.3	15.7	15.2	45
50			16.4	17.6	17.8	18.2	17.5	16.7	15.5	14.5	13	12.6	50
55			13.7	14.9	15.1	15.4	15	14.2	13	12.2	10.8	10.5	55
60				12.7	12.9	13.2	12.9	12.2	11	10.3	9	8.7	60
65				10.8	11	11.4	11	10.5	9.4	8.7	7.4	7.2	65
70					9.4	9.8	9.4	9	8	7.3	6.1	5.9	70
75					8	8.4	8.1	7.8	6.8	6.1	5	4.8	75
80					7	7.2	6.9	6.7	5.7	5.1	4	3.8	80
85						6.2	5.9	5.7	4.8	4.2	3	2.9	85
90						5.4	5	4.8	4	3.3	2.2	2	90
95							4.2	4	3.2	2.6			95
100							3.5	3.3	2.6	1.8			100
105								2.7	2				105
110								2.1					110

t_206_00079_00_000

Lifting heights Hauteurs de levage

T



US1971.03

Lifting capacities

Forces de levage

TK



	38 ft			123 ft			135 ft			148 ft			160 ft			171 ft			
	35 ft			35 ft			35 ft			35 ft			35 ft			35 ft			
	0°	20°	40°	0°	20°	40°	0°	20°	40°	0°	20°	40°	0°	20°	40°	0°	20°	40°	
18	38.4																		18
19	37.6																		19
20	36.7	34.3																	20
22	35	33.7																	22
24	33.1	33																	24
26	31.2	32.1																	26
28	29.8	30.8																	28
30	28.5	29.5	26.3	32.4															30
32	27.3	28.1	25	31.9															32
34	26.1	27	24	31.5			29.5			23.7									34
36	25	25.9	23.1	31			29.2			23.4									36
38	23.8	24.9	22.3	30.6			28.9			23									38
40	22.9	23.9	21.4	30.2	26.6		28.6			22.6			18.3			14.7			40
45	21.1	21.3	19.2	29.1	25.8		27.9			21.8			17.7			14.2			45
50	19.3	19.5	17.7	27.6	24.4		26.8	23.9		21.1	19.9		17.1			13.6	12.8		50
55	17.5	18	16.6	26.1	23.2	20.2	25.5	22.8	20	20.4	19.1		16.4	15.5		13	12.6		55
60		16.7		24.5	22.1	19.4	24	21.8	19.3	19.5	18.3	17.6	15.6	14.9	14.4	12.5	12.1	11.8	60
65		15.2		23	21.1	18.7	22.6	20.9	18.6	18.7	17.6	16.8	14.9	14.4	13.9	12	11.5	11.2	65
70				21.6	20.2	18.1	21.2	20	18	17.9	16.8	16.3	14.3	13.8	13.5	11.4	11	10.9	70
75				20.2	19.3	17.5	19.9	19.3	17.5	17.1	16.1	15.7	13.8	13.3	13.1	11	10.8	10.5	75
80				18.9	18.5	16.9	18.6	18.5	17	16.6	15.4	15.1	13.3	12.7	12.6	10.6	10.4	10.1	80
85				17.5	17.6	16.1	17.4	17.6	16.5	15.8	14.8	14.6	12.7	12.2	12.2	10.3	10.1	9.8	85
90				16.1	16.4	15.5	16.3	16.5	16	14.9	14.3	14.1	12.3	11.8	11.8	9.9	9.7	9.4	90
95				14.7	15.3	14.6	15	15.4	15.4	14	13.8	13.7	11.9	11.5	11.4	9.5	9.3	9.1	95
100				13.3	14.2	13.5	13.7	14.3	14.7	13.2	13.4	13.3	11.5	11.3	11.2	9.2	9	8.9	100
105				12.1	13.3	12.7	12.6	13.2	13.7	12.4	12.7	12.9	11.2	10.9	10.9	9	8.7	8.7	105
110				11.3	12.4	11.9	11.9	12.4	12.5	11.5	12	12.2	10.8	10.5	10.6	8.7	8.4	8.4	110
115				10.9	11.5	11.3	11.3	11.6	11.6	10.5	11.2	11.5	10.5	10.3	10.3	8.3	8.1	8.1	115
120				10.3	10.8	10.8	10.5	10.9	11	10	10.3	10.7	10	9.9	10.1	8.1	8	7.9	120
125				9.6	10	10.2	9.7	10.1	10.3	9.5	9.7	9.8	9.2	9.2	9.7	7.7	7.7	7.8	125
130				8.9	9.2	9.3	9	9.4	9.6	9.1	9.3	9.4	8.5	8.4	9.3	7.4	7.3	7.6	130
135				8.6	8.5	8.2	8.5	8.7	8.8	8.6	8.9	9.1	7.8	7.8	8.6	7.1	7.2	7.4	135
140				8.2	8.3	5.4	8.1	8.2	8.4	7.9	8.3	8.5	7.1	7.3	7.9	6.8	6.7	7.1	140
145							7.8	7.9	7.7	7.3	7.6	7.8	6.5	6.7	7.2	6.3	5.6	6.7	145
150							7.3	7.5	5.9	6.6	7	7.1	5.9	6.2	6.6	5.7	4.9	6.4	150
155							6.7	6.9		6	6.3	6.4	5.3	5.6	5.9	5.2	4.9	5.8	155
160										5.5	5.7	5.7	4.8	5	5.3	4.7	4.7	5.3	160
165										5			4.3	4.3	4.6	4.2	4.4	4.7	165
170										4.6			3.8	4	4.1	3.7	3.8	4.1	170
175													3.3	3.5	3.5	3.2	3.3	3.6	175
180													2.9			2.8	3	3	180
185																2.4	2.6	2.6	185
190																2	2.1	2.1	190
195																1.8			195

t_206_71101_01_000 / 71201_01_000 / 71301_01_000

Lifting capacities

Forces de levage

TK

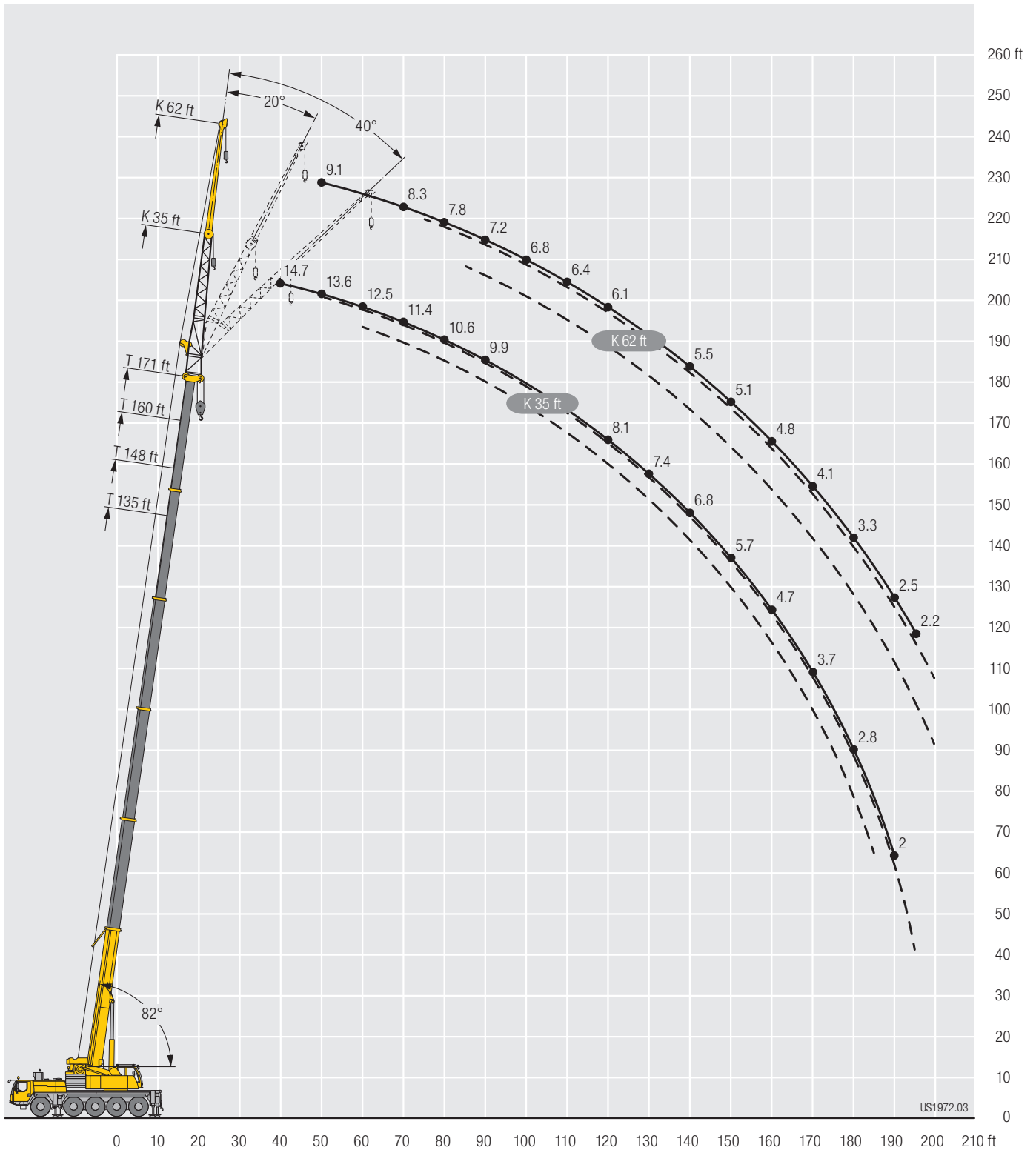


	38 ft			123 ft			135 ft			148 ft			160 ft			171 ft			
	62 ft			62 ft			62 ft			62 ft			62 ft			62 ft			
	0°	20°	40°	0°	20°	40°	0°	20°	40°	0°	20°	40°	0°	20°	40°	0°	20°	40°	
18	18.2																		18
19	18.1																		19
20	18																		20
22	17.8																		22
24	17.5																		24
26	17.3																		26
28	16.8																		28
30	16.3																		30
32	15.7																		32
34	15.2																		34
36	14.7																		36
38	14.2																		38
40	13.7	10.3		12.6			12.2			11.2									40
45	12.6	9.7		12.5			12.2			11.2									45
50	11.5	9.1		12.4			12.2			11.2			10.2			9.1			50
55	10.7	8.5	7.3	12.2	9.6		12.1			11.1			10.2			9			55
60	9.9	8	7	11.9	9.4		11.8	9.4		10.9			10.1			8.8			60
65	9.2	7.8	6.8	11.6	9.1		11.5	9.2		10.7			9.9	8.8		8.5			65
70	8.8	7.6	6.6	11.3	8.7		11.3	9		10.5	8.8		9.8	8.6		8.3			70
75	8.3	7.4	6.6	11.1	8.4	6.9	11.1	8.7	7	10.3	8.6		9.7	8.4		8.1	7.9		75
80	7.9	7.2	6.6	10.7	8.2	6.8	10.9	8.4	7	10.2	8.4	7	9.5	8.2		7.8	7.7		80
85	7.6	7	6.6	10.3	8.1	6.8	10.6	8.1	6.8	10.2	8.3	6.8	9.3	8	6.8	7.5	7.5	6.8	85
90	7.2			9.9	7.9	6.6	10.3	7.9	6.8	10.1	8.1	6.8	9	7.9	6.8	7.2	7.2	6.8	90
95				9.6	7.7	6.6	10	7.7	6.7	9.9	7.9	6.7	8.7	7.7	6.8	6.9	6.9	6.7	95
100				9.3	7.5	6.6	9.6	7.5	6.6	9.6	7.8	6.6	8.5	7.7	6.7	6.8	6.7	6.5	100
105				8.9	7.3	6.6	9.2	7.5	6.6	9.2	7.6	6.6	8.3	7.5	6.6	6.6	6.5	6.3	105
110				8.6	7.3	6.6	9.1	7.4	6.6	9.1	7.4	6.6	8.1	7.4	6.6	6.4	6.4	6.1	110
115				8.3	7.2	6.6	8.7	7.2	6.6	8.9	7.3	6.6	7.9	7.3	6.6	6.2	6.2	5.9	115
120				8.1	7.1	6.6	8.4	7	6.6	8.7	7.2	6.6	7.7	7.2	6.6	6.1	6	5.8	120
125				7.9	7	6.6	8.2	7	6.6	8.5	7.1	6.6	7.5	7	6.6	5.9	5.8	5.6	125
130				7.7	6.9	6.6	8.1	6.9	6.6	8.3	7	6.6	7.3	6.8	6.6	5.7	5.6	5.4	130
135				7.4	6.9	6.4	8	6.8	6.6	8	6.9	6.6	7.1	6.7	6.6	5.7	5.4	5.3	135
140				7.1	6.8	6.3	7.6	6.8	6.6	7.4	6.8	6.6	7	6.6	6.6	5.5	5.3	5.3	140
145				6.7	6.6	6.3	7.6	6.8	6.6	6.8	6.8	6.6	6.7	6.6	6.5	5.3	5.3	5.3	145
150				6.2	6.5	6.1	7.1	6.8	6.6	6.7	6.6	6.6	6.2	6.5	6.4	5.1	5.1	5.2	150
155				6	6.3	5.9	6.6	6.8	6.6	6.5	6.4	6.5	5.8	6.2	6.3	5	4.9	5.1	155
160				5.7	6	5.7	6	6.5	6.6	6.1	6.3	6.3	5.3	5.9	6.2	4.8	4.8	5	160
165				5.3	5.9		5.5	6.1	6.2	5.7	6.2	6.2	4.8	5.5	5.9	4.5	4.6	4.9	165
170				4.9	5.4		5.4	6	6.1	5.2	5.8	5.9	4.4	5	5.4	4.1	4.6	4.8	170
175								5.7	5.6	4.8	5.3	5.5	4	4.6	4.9	3.7	4.4	4.6	175
180								5.2		4.3	4.8	4.9	3.5	4.1	4.4	3.3	3.9	4.3	180
185											4.3	4.4	3.1	3.6	3.8	2.9	3.5	3.8	185
190											3.9	3.8	2.7	3.2	3.3	2.5	3.1	3.3	190
195													2.4	2.8	2.8	2.2	2.7	2.9	195
200													2.1	2.4	2.4		2.3	2.4	200

t_206_72101_01_000 / 72201_01_000 / 72301_01_000

Lifting heights Hauteurs de levage

TK



Lifting capacities Forces de levage

TVK



↙	38 ft + 23 ft			135 ft + 23 ft			148 ft + 23 ft			160 ft + 23 ft			171 ft + 23 ft			↘
	35 ft			35 ft			35 ft			35 ft			35 ft			
	0°	20°	40°	0°	20°	40°	0°	20°	40°	0°	20°	40°	0°	20°	40°	
18	12.9															18
19	12.6															19
20	12.4															20
22	12															22
24	11.6															24
26	11.3															26
28	10.9	11.3														28
30	10.5	11														30
32	10.3	10.6														32
34	10	10.2	10.7													34
36	9.7	9.9	10.3													36
38	9.4	9.7	10													38
40	9.2	9.4	9.6	12.6			12									40
45	8.5	8.7	8.9	12.1			11.6									45
50	7.9	8.1	8.4	11.6	10.9		11.1			10.4			8.7			50
55	7.4	7.6	7.8	11.2	10.4		10.7	10.2		10.1	9.8		8.4	7.9		55
60	6.9	7.1	7.3	10.8	9.9	9.6	10.4	9.7	9.4	9.9	9.4	8.8	8	7.8		60
65	6.5	6.6	6.8	10.3	9.5	9.3	10	9.3	9.1	9.5	9.1	8.8	7.7	7.6		65
70	6.2	6.2	6.4	9.9	9.2	9	9.6	8.9	8.7	9.3	8.7	8.5	7.5	7.3	7.3	70
75	5.8	5.8	5.8	9.5	8.8	8.6	9.3	8.6	8.4	9.1	8.5	8.2	7.2	7.1	7.1	75
80		5.5	5.2	9.2	8.5	8.2	8.9	8.3	8.1	8.7	8.2	8	6.9	6.9	6.9	80
85		5.1	4	8.8	8.2	7.9	8.6	8.1	7.8	8.4	7.9	7.7	6.7	6.7	6.5	85
90				8.5	7.9	7.7	8.2	7.9	7.6	8.2	7.9	7.5	6.4	6.5	6.3	90
95				8.1	7.7	7.5	8	7.8	7.3	8	7.6	7.3	6.2	6.2	6.1	95
100				7.8	7.5	7.4	7.8	7.5	7.2	7.8	7.4	7.2	6	6	5.9	100
105				7.6	7.2	7.2	7.6	7.2	7.2	7.6	7.2	7.2	6	5.8	5.6	105
110				7.4	7	7	7.5	7	7	7.4	7	6.8	5.8	5.6	5.4	110
115				7.2	6.8	6.8	7.3	6.8	6.8	7.1	6.8	6.6	5.7	5.4	5.2	115
120				6.9	6.6	6.7	7	6.6	6.7	6.9	6.6	6.5	5.5	5.3	5	120
125				6.7	6.4	6.5	6.7	6.5	6.5	6.7	6.5	6.4	5.3	5.1	4.9	125
130				6.5	6.1	6.3	6.5	6.3	6.3	6.5	6.3	6.3	5.1	4.9	4.7	130
135				6.4	5.9	6	6.3	6	6.1	6.4	6	6.1	5	4.7	4.6	135
140				6.2	5.7	5.8	6.2	5.8	5.9	6.2	5.8	5.9	4.8	4.7	4.5	140
145				6	5.5	5.6	6	5.7	5.8	5.8	5.7	5.7	4.6	4.6	4.4	145
150				5.8	5.4	5.6	5.8	5.6	5.6	5.4	5.5	5.4	4.4	4.4	4.4	150
155				5.6	5.3	5.4	5.5	5.4	5.4	4.9	5.2	5.2	4.2	4.3	4.3	155
160				5.4	5.2	5.3	5.1	5.2	5.2	4.4	4.8	5	4	4.2	4.1	160
165				5.2	5.1	5.3	4.6	5	4.9	3.8	4.3	4.5	3.6	4.1	4	165
170				4.7	4.8	4.9	4.2	4.5	4.5	3.3	3.8	4	3.3	3.6	3.8	170
175				4.3	4.4	4.2	3.7	4	4.1	2.9	3.2	3.5	2.8	3.2	3.4	175
180				4	4		3.3	3.5	3.6	2.6	2.8	3	2.4	2.7	3	180
185							2.9	3.2	3.1	2.2	2.5	2.5		2.2	2.5	185
190							2.7	2.8	2.7	1.9	2.1	2.2		2	2.1	190
195								2.5								195

t_206_91101_01_000 / 91201_01_000 / 91301_01_000

Lifting capacities Forces de levage

TVK

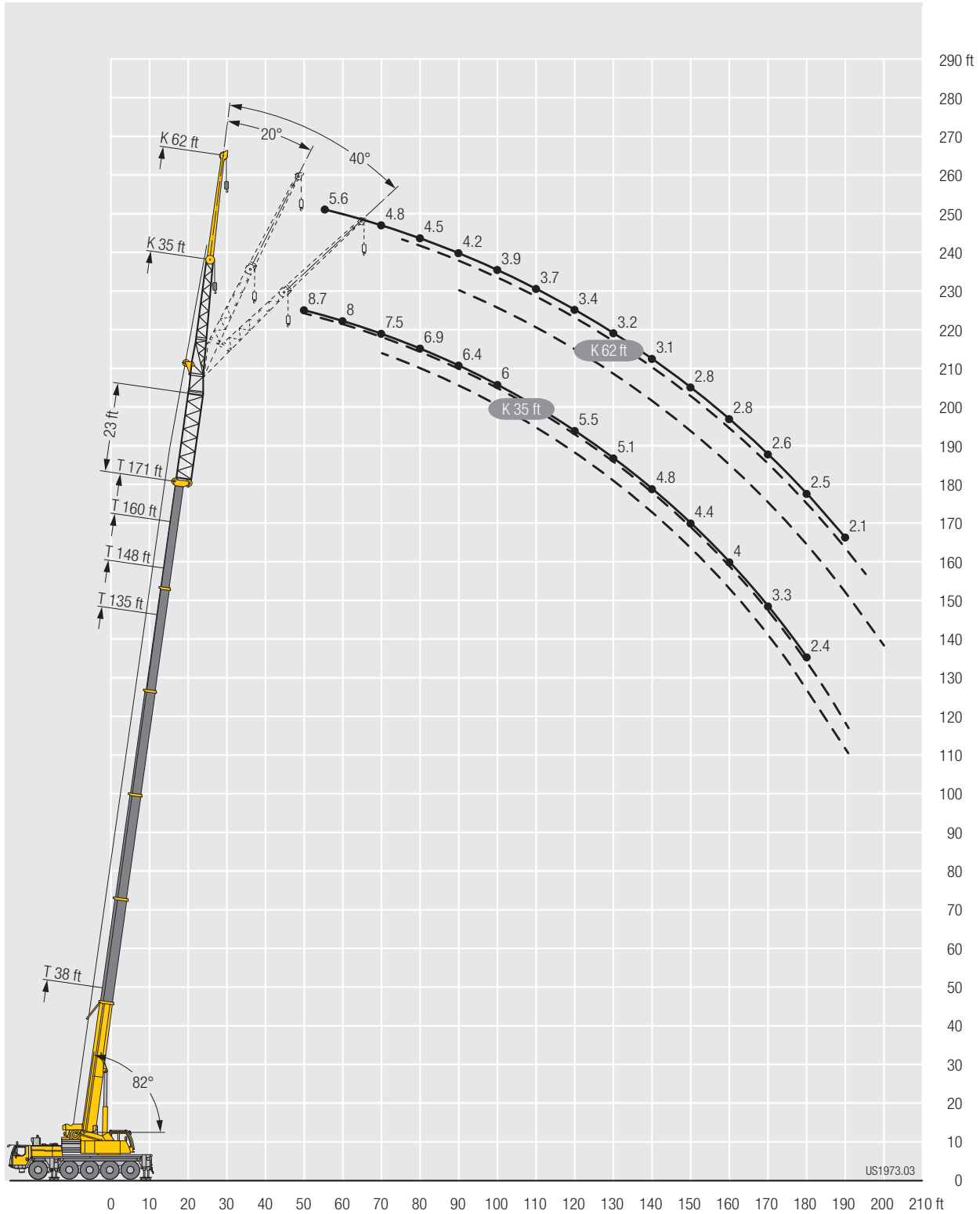


↙ ↘	38 ft + 23 ft			135 ft + 23 ft			148 ft + 23 ft			160 ft + 23 ft			171 ft + 23 ft			↙ ↘
	62 ft			62 ft			62 ft			62 ft			62 ft			
	0°	20°	40°	0°	20°	40°	0°	20°	40°	0°	20°	40°	0°	20°	40°	
26	7.8															26
28	7.9															28
30	7.8															30
32	7.7															32
34	7.6															34
36	7.5															36
38	7.5															38
40	7.3	7.6														40
45	6.8	7.3														45
50	6.4	6.9		7.3			6.9			6.3						50
55	6.1	6.5		7.2			6.9			6.3			5.6			55
60	5.7	6.2	6.4	7.2			6.9			6.3			5.3			60
65	5.4	5.8	6.1	7.2	6.9		6.7	6.7		6.3			5.1			65
70	5.2	5.5	5.7	7	6.6		6.7	6.6		6.3	6.3		4.8			70
75	4.9	5.1	5.4	7	6.4		6.6	6.3		6.3	6.1		4.6	5.2		75
80	4.6	4.8	5	6.8	6.2	5.8	6.4	6	5.6	6.2	6		4.5	5		80
85	4.4	4.6	4.9	6.5	6	5.8	6.1	5.8	5.6	6	5.8	5.5	4.3	4.9		85
90	4.2	4.5	4.7	6.2	5.7	5.6	5.8	5.6	5.6	5.9	5.6	5.4	4.2	4.7	4.4	90
95	4.1	4.3	4.5	5.9	5.4	5.4	5.7	5.5	5.5	5.7	5.5	5.2	4	4.5	4.4	95
100	3.9	4.1	4.4	5.6	5.3	5.3	5.5	5.3	5.3	5.5	5.3	5	3.9	4.4	4.4	100
105	3.7	3.9	4.1	5.4	5.1	5.1	5.3	5.1	5.1	5.3	5.1	4.9	3.7	4.2	4.4	105
110	3.5	3.8		5.2	4.9	4.9	5.2	4.9	4.9	5.1	4.9	4.7	3.7	4.1	4.2	110
115				5	4.8	4.8	5	4.7	4.7	5	4.7	4.6	3.6	4	4	115
120				4.8	4.6	4.6	4.9	4.6	4.6	4.9	4.6	4.5	3.4	3.9	3.9	120
125				4.7	4.4	4.4	4.8	4.4	4.4	4.8	4.4	4.4	3.3	3.7	3.8	125
130				4.6	4.4	4.4	4.7	4.4	4.4	4.7	4.2	4.2	3.2	3.5	3.7	130
135				4.5	4.3	4.4	4.5	4.3	4.4	4.5	4.1	4.2	3.2	3.5	3.6	135
140				4.3	4.1	4.3	4.3	4.1	4.3	4.3	4.1	4.2	3.1	3.4	3.4	140
145				4.2	4	4.2	4.1	4	4.2	4.1	4	4.2	3	3.2	3.3	145
150				4	4	4.2	4	4	4.1	4	3.9	4.1	2.8	3.1	3.2	150
155				3.9	3.9	4	3.9	4	4	4	3.8	4	2.8	3	3.1	155
160				3.8	3.9	4	3.8	4	4	3.9	3.7	4	2.8	2.9	3	160
165				3.7	3.9	4	3.8	3.9	4	3.8	3.7	3.9	2.7	2.8	3	165
170				3.5	3.8	3.9	3.7	3.8	3.9	3.6	3.5	3.8	2.6	2.8	3	170
175				3.4	3.7	3.8	3.6	3.7	3.8	3.3	3.5	3.7	2.6	2.6	3	175
180				3.4	3.6	3.6	3.5	3.7	3.7	3	3.5	3.6	2.5	2.6	2.9	180
185				3.3	3.5	3.5	3.3	3.6	3.7	2.7	3.2	3.5	2.3	2.6	2.8	185
190				3.2	3.5	3.5	3	3.5	3.6	2.3	2.8	3.2	2.1	2.5	2.7	190
195				3.1	3.3	3.3	2.7	3.2	3.4	2	2.4	2.7		2.3	2.6	195
200				2.9	3.1	3	2.3	2.8	2.9		2.1	2.4			2.3	200
205				2.7	2.9		2.1	2.4	2.5							205
210				2.4	2.6		1.8	2.1	2.1							210

t_206_92101_01_000 / 92201_01_000 / 92301_01_000

Lifting heights Hauteurs de levage

TVK



Lifting capacities Forces de levage

TVK



↙ ↘	38 ft + 46 ft			135 ft + 46 ft			148 ft + 46 ft			160 ft + 46 ft			171 ft + 46 ft			↙ ↘
	35 ft			35 ft			35 ft			35 ft			35 ft			
	0°	20°	40°	0°	20°	40°	0°	20°	40°	0°	20°	40°	0°	20°	40°	
20	9.7															20
22	9.3															22
24	8.9															24
26	8.6															26
28	8.4															28
30	8.2	8.7														30
32	8	8.5														32
34	7.7	8.2														34
36	7.5	8														36
38	7.3	7.8														38
40	7.1	7.6	7.8													40
45	6.8	7	7.3													45
50	6.3	6.5	6.7	8.4			8.1			7.2						50
55	5.8	6.1	6.2	8	7.6		7.8	7.2		7.2			5.6			55
60	5.5	5.7	5.7	7.8	7.1	6.9	7.6	7.1		7.1	6.8		5.6	5.6		60
65	5.1	5.4	5.4	7.5	7	6.9	7.2	6.8		7	6.5		5.5	5.6		65
70	4.8	5	5	7.1	6.8	6.6	7	6.6	6.6	6.8	6.3	6.3	5.4	5.4	5.3	70
75	4.5	4.7	4.8	6.8	6.5	6.4	6.8	6.4	6.3	6.5	6	6.1	5.2	5.2	5.2	75
80	4.4	4.4	4.5	6.6	6.2	6.2	6.4	6.1	6	6.3	5.8	5.8	5	5	5	80
85	4.2	4.2	4.2	6.3	5.8	5.8	6.3	5.9	5.8	6	5.6	5.6	4.7	4.7	4.9	85
90	4	4	4	6.1	5.6	5.6	6.1	5.7	5.6	5.9	5.4	5.4	4.5	4.5	4.7	90
95	3.7	3.8	3.7	5.9	5.6	5.5	5.8	5.6	5.3	5.7	5.2	5.2	4.3	4.3	4.5	95
100	3.4	3.6	3.4	5.6	5.5	5.3	5.5	5.4	5.2	5.5	5.1	5.1	4.1	4.1	4.3	100
105	3.2	3.2	3.2	5.4	5.3	5.1	5.3	5.1	5	5.3	5	5	3.9	3.9	4.2	105
110				5.2	5	4.9	5.1	4.9	4.9	5.1	4.9	4.9	3.8	3.8	4	110
115				5	4.8	4.7	5	4.7	4.7	5	4.7	4.7	3.6	3.6	3.8	115
120				4.8	4.6	4.6	4.8	4.7	4.6	4.8	4.6	4.6	3.5	3.5	3.6	120
125				4.6	4.4	4.4	4.6	4.6	4.4	4.6	4.4	4.4	3.4	3.4	3.5	125
130				4.5	4.4	4.2	4.5	4.4	4.4	4.5	4.4	4.2	3.3	3.3	3.3	130
135				4.4	4.3	4.2	4.4	4.3	4.3	4.4	4.3	4.2	3.2	3.1	3.1	135
140				4.3	4.1	4.1	4.4	4.1	4.1	4.3	4.1	4.1	3.1	3	3	140
145				4.3	3.9	3.9	4.3	3.9	3.9	4.2	4	4	3.1	3	3	145
150				4.2	3.8	3.8	4.2	3.8	3.7	4.1	3.9	3.9	3	2.8	2.9	150
155				4.1	3.7	3.7	4.1	3.7	3.6	4	3.8	3.8	2.9	2.6	2.8	155
160				3.9	3.6	3.7	3.9	3.6	3.5	3.7	3.6	3.6	2.8	2.6	2.8	160
165				3.9	3.5	3.6	3.8	3.5	3.5	3.4	3.4	3.5	2.7	2.5	2.7	165
170				3.7	3.4	3.5	3.7	3.4	3.5	3.1	3.3	3.3	2.5	2.4	2.6	170
175				3.6	3.3	3.3	3.4	3.3	3.5	2.7	3	3.1	2.3	2.3	2.5	175
180				3.4	3.1	3.3	3	3.1	3.3	2.3	2.6	2.8		2.2	2.4	180
185				3.1	3	3.2	2.7	2.9	3		2.2	2.4			2.2	185
190				2.8	2.8	3	2.3	2.6	2.6		1.9	2			1.9	190
195				2.5	2.6	2.7	2	2.2	2.2							195
200				2.2	2.3	2.2										200

t_206_93101_01_000 / 93201_01_000 / 93301_01_000

Lifting capacities Forces de levage

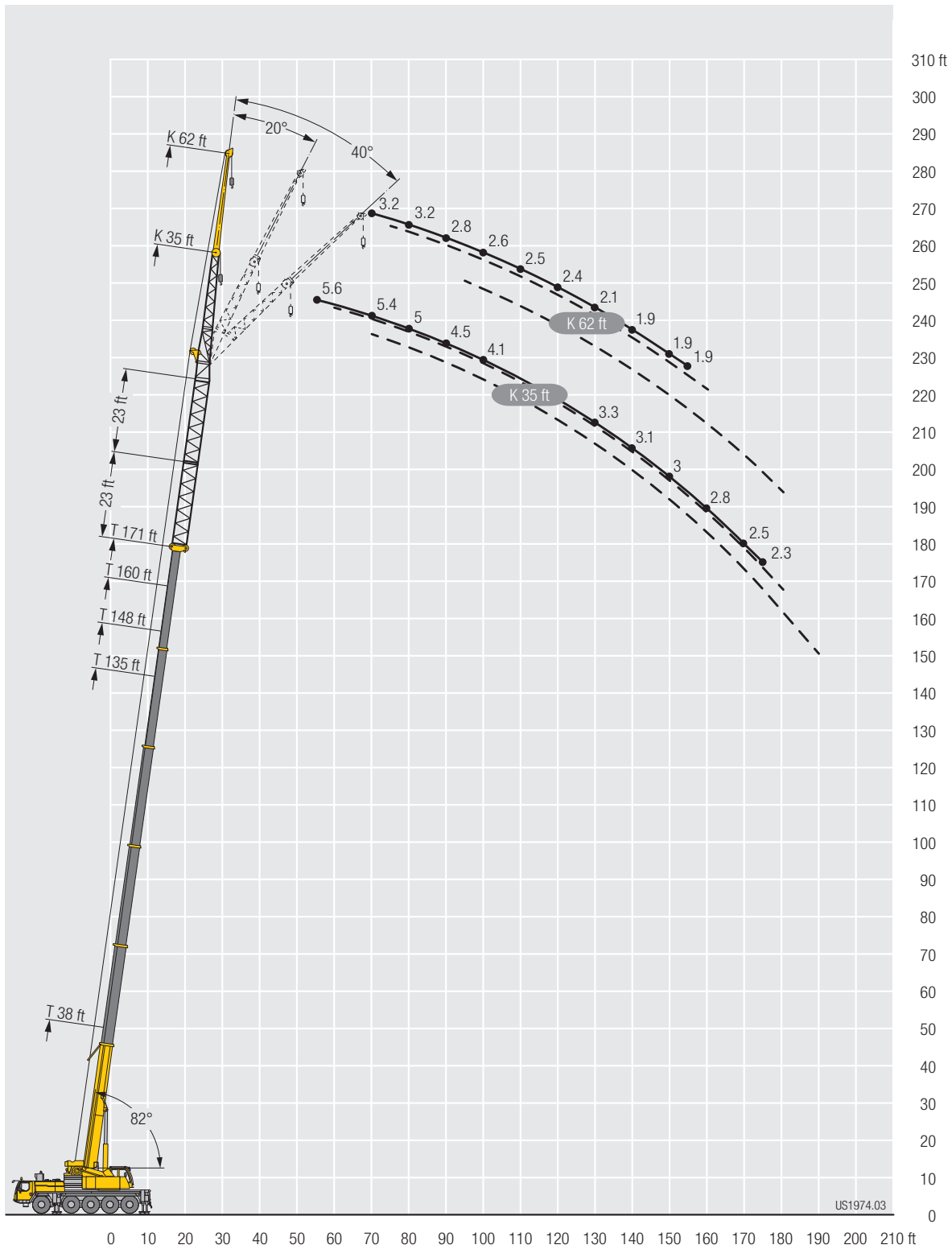
TVK



↙ ↘	38 ft + 46 ft			135 ft + 46 ft			148 ft + 46 ft			160 ft + 46 ft			171 ft + 46 ft			↙ ↘
	62 ft			62 ft			62 ft			62 ft			62 ft			
	0°	20°	40°	0°	20°	40°	0°	20°	40°	0°	20°	40°	0°	20°	40°	
26	8.1															26
28	8.1															28
30	8.1															30
32	8.1															32
34	8															34
36	7.9															36
38	7.7															38
40	7.5															40
45	7.1															45
50	6.7	6.7		5.9												50
55	6.3	6.5		5.7			5.5			4.6						55
60	6	6.2	6.6	5.5			5.3			4.6						60
65	5.6	5.8	6.3	5.3	5.1		5.1			4.6						65
70	5.3	5.5	5.9	5.2	5.1		4.9			4.6			3.2			70
75	5	5.2	5.6	5	4.9		4.8	4.8		4.5	4.4		3.2	3.5		75
80	4.8	5	5.2	4.8	4.6		4.6	4.6		4.3	4.3		3.2	3.5		80
85	4.5	4.7	4.9	4.6	4.4	4.4	4.4	4.4		4.2	4.2	4	3	3.5		85
90	4.2	4.5	4.7	4.5	4.2	4.2	4.2	4.2	4.2	4	4	4	2.8	3.5		90
95	4.2	4.3	4.4	4.3	4.1	4.1	4.1	4.1	4.1	3.9	3.8	3.8	2.7	3.4	3	95
100	4.1	4.1	4.1	4.1	3.9	3.9	3.9	3.9	3.9	3.8	3.7	3.6	2.6	3.2	3	100
105	3.9	3.9	3.9	3.9	3.7	3.7	3.7	3.7	3.7	3.7	3.6	3.5	2.6	3.1	2.8	105
110	3.6	3.8	3.8	3.8	3.5	3.6	3.7	3.5	3.5	3.5	3.5	3.5	2.5	3	2.8	110
115	3.5	3.6	3.5	3.6	3.4	3.5	3.6	3.4	3.4	3.4	3.5	3.4	2.4	2.9	2.8	115
120	3.4	3.4	3.1	3.4	3.3	3.4	3.4	3.3	3.2	3.2	3.4	3.2	2.4	2.7	2.8	120
125	3.2	3.2	2.8	3.2	3.2	3.2	3.2	3.2	3.2	3.2	3.3	3	2.3	2.5	2.7	125
130	2.9	2.9	2.4	3.1	3.1	3.1	3.1	3.1	3.1	3.1	3.2	3	2.1	2.4	2.6	130
135		2.7		3	2.9	2.9	3	2.9	3	2.9	3	2.9	2	2.3	2.4	135
140				2.9	2.8	2.8	2.9	2.8	2.9	2.8	2.8	2.8	1.9	2.2	2.3	140
145				2.7	2.8	2.8	2.8	2.8	2.8	2.7	2.8	2.8	1.9	2.2	2.3	145
150				2.6	2.8	2.8	2.6	2.8	2.8	2.6	2.8	2.8	1.9	2.1	2.3	150
155				2.6	2.6	2.8	2.6	2.8	2.8	2.6	2.8	2.8	1.9	1.9	2.3	155
160				2.5	2.6	2.7	2.6	2.7	2.7	2.6	2.7	2.7		1.9	2.2	160
165				2.4	2.5	2.6	2.6	2.6	2.6	2.6	2.6	2.6			2.1	165
170				2.3	2.4	2.5	2.6	2.5	2.5	2.5	2.5	2.5			2	170
175				2.3	2.3	2.4	2.6	2.4	2.4	2.4	2.4	2.4			1.9	175
180				2.3	2.3	2.3	2.5	2.3	2.3	2.3	2.3	2.3			1.9	180
185				2.3	2.2	2.3	2.4	2.2	2.3	2.1	2.3	2.3				185
190				2.3	2.1	2.2	2.3	2.1	2.2	1.8	2.1	2.3				190
195				2.3	2	2.1	2.2	2.1	2.1		2	2.2				195
200				2.3	2	2	2	2.1	2.1			2				200
205				2.2	1.9			2	2.1							205
210				2	1.9			1.9	1.9							210
215					1.9											215

t_206_94101_01_000 / 94201_01_000 / 94301_01_000

Lifting heights Hauteurs de levage



Lifting capacities Forces de levage

TNZK



T	38 ft			123 ft			135 ft			148 ft			160 ft			171 ft			T
	35 ft			35 ft			35 ft			35 ft			35 ft			35 ft			
	0°	20°	40°	0°	20°	40°	0°	20°	40°	0°	20°	40°	0°	20°	40°	0°	20°	40°	
10	38.7																		10
11	38.7																		11
12	38.7																		12
13	38.7																		13
14	38.7																		14
15	38.7																		15
16	38.7																		16
17	38.7																		17
18	38.6																		18
19	37.8																		19
20	36.9	34.4																	20
22	35.1	33.7																	22
24	33.3	32.9																	24
26	31.3	32.1																	26
28	29.9	31		32.8															28
30	28.7	29.6	26.1	32.4			30.1												30
32	27.5	28.2	25.1	31.9			29.8												32
34	26.3	27	24	31.5			29.5			23.7									34
36	25.1	25.9	23.1	31			29.1			23.3									36
38	23.9	24.9	22.3	30.6			28.8			23									38
40	22.9	23.8	21.4	30.1	26.7		28.5			22.6			18.3			14.8			40
45	21.1	21.2	19.2	29	25.4		27.8			21.8			17.6			14.1			45
50	19.4	19.5	17.7	27.6	24.1		26.8	23.6		21.1	19.8		17			13.5			50
55	17.7	18.1	16.7	26.1	23	20	25.5	22.5	19.9	20.3	19		16.3	15.5		13	12.5		55
60		16.7		24.6	21.9	19.3	24.1	21.6	19.2	19.5	18.3	17.6	15.6	14.9	14.4	12.4	12	11.7	60
65		15.3		23	20.8	18.6	22.6	20.7	18.5	18.7	17.5	16.9	15	14.3	14	11.9	11.4	11.2	65
70				21.6	19.9	18	21.1	19.8	17.9	17.9	16.7	16.2	14.4	13.7	13.4	11.4	11	10.8	70
75				20.2	19.1	17.4	19.8	19	17.4	17.2	16.1	15.6	13.8	13.2	13	11	10.8	10.4	75
80				18.9	18.4	16.8	18.5	18.3	16.9	16.5	15.4	15	13.2	12.7	12.5	10.6	10.3	10	80
85				17.5	17.5	16.2	17.3	17.5	16.4	15.7	14.9	14.5	12.7	12.3	12.1	10.2	10	9.6	85
90				16.1	16.4	15.5	16.2	16.4	15.9	14.8	14.3	14	12.3	11.9	11.7	9.8	9.6	9.3	90
95				14.7	15.3	14.6	15	15.4	15.4	13.9	13.8	13.5	11.9	11.5	11.3	9.4	9.2	9.1	95
100				13.3	14.2	13.6	13.6	14.3	14.7	13.1	13.3	13.2	11.6	11.3	11.1	9.2	8.9	8.9	100
105				12.3	13.2	12.7	12.5	13.1	13.6	12.3	12.6	12.8	11.2	11	10.8	8.9	8.7	8.7	105
110				11.4	12.3	11.9	11.8	12.3	12.5	11.4	11.9	12.2	10.8	10.7	10.6	8.6	8.4	8.4	110
115				10.9	11.4	11.2	11.2	11.5	11.6	10.4	11.1	11.5	10.5	10.3	10.3	8.3	8.1	8.1	115
120				10.2	10.7	10.7	10.5	10.8	10.9	9.9	10.2	10.7	10	9.9	10	8.1	8	7.9	120
125				9.6	9.9	10.1	9.7	10.1	10.2	9.5	9.7	9.8	9.1	9.3	9.7	7.7	7.7	7.8	125
130				8.8	9.2	9.3	9	9.3	9.5	9	9.4	9.4	8.4	8.4	9.3	7.4	7.3	7.6	130
135				8.4	8.4	8.1	8.5	8.6	8.8	8.5	8.9	9	7.7	7.8	8.5	7.1	7.2	7.4	135
140				8.1	8.2	5.4	8.1	8.2	8.2	7.8	8.2	8.4	7.1	7.4	7.8	6.7	6.7	7.1	140
145							7.7	7.8	7.5	7.2	7.6	7.7	6.4	6.8	7.1	6.2	5.7	6.7	145
150							7.2	7.4	5.9	6.5	6.9	7	5.8	6.3	6.5	5.7	4.9	6.3	150
155							6.6	6.8		6	6.2	6.3	5.3	5.6	5.8	5.1	4.9	5.7	155
160										5.4	5.6	5.6	4.7	5	5.2	4.6	4.7	5.1	160
165										4.9			4.2	4.4	4.5	4.1	4.3	4.6	165
170										4.5			3.7	3.9	4	3.6	3.7	4	170
175													3.2	3.4	3.4	3.1	3.2	3.5	175
180													2.8			2.7	2.9	2.9	180
185																2.3	2.5	2.5	185
190																1.9	1.9	2	190

t_206_71401_01_000

Lifting capacities Forces de levage

TNZK

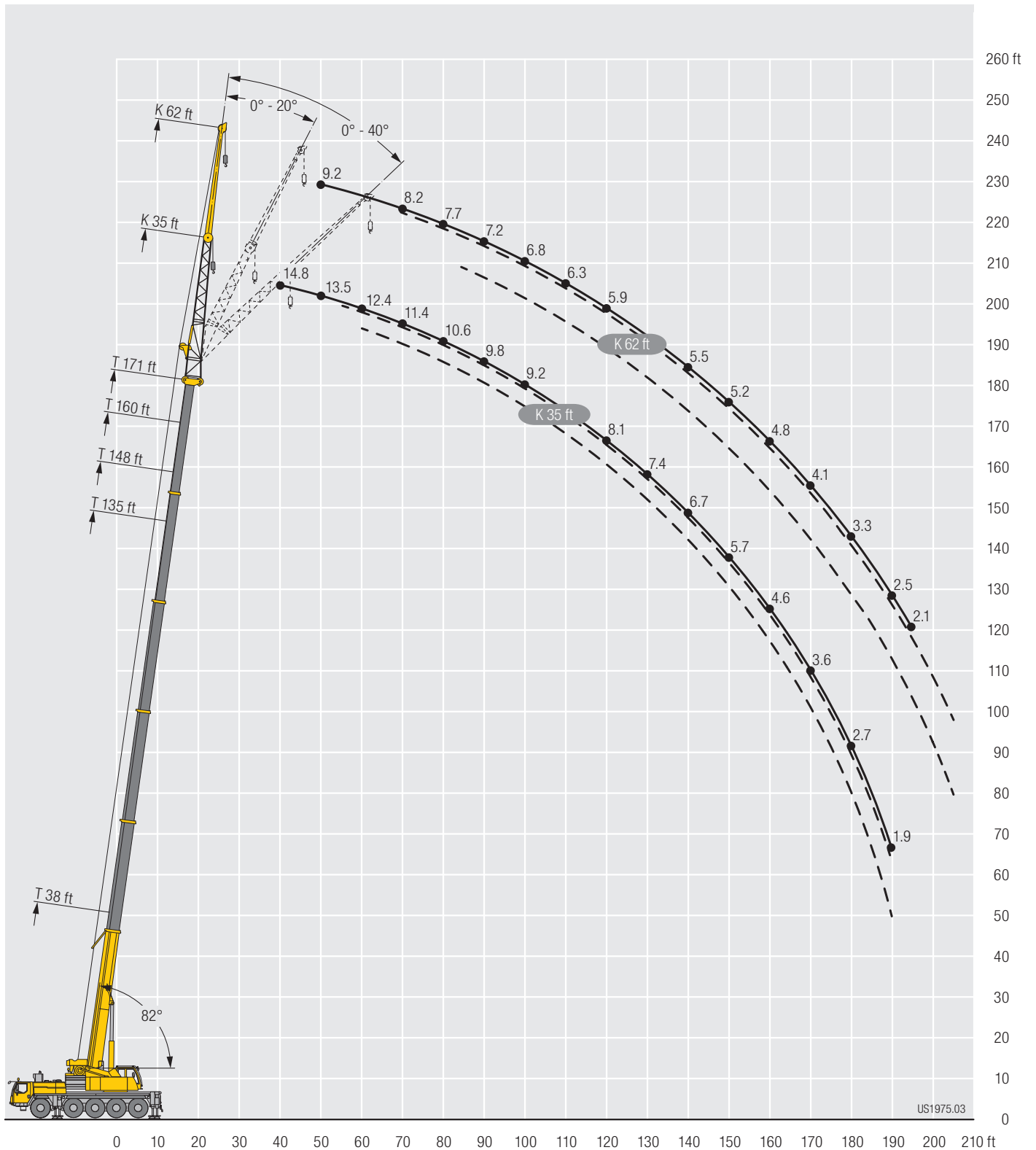


Lifting height (ft)	38 ft 62 ft			123 ft 62 ft			135 ft 62 ft			148 ft 62 ft			160 ft 62 ft			171 ft 62 ft			Lifting height (ft)
	0°	20°	40°	0°	20°	40°	0°	20°	40°	0°	20°	40°	0°	20°	40°	0°	20°	40°	
16	18.4																		16
17	18.3																		17
18	18.2																		18
19	18.1																		19
20	18																		20
22	17.7																		22
24	17.5																		24
26	17.3																		26
28	16.9																		28
30	16.3																		30
32	15.8																		32
34	15.2			12.6															34
36	14.6			12.6															36
38	14.1			12.6															38
40	13.6	10.3		12.6			12.1			11.2									40
45	12.5	9.7		12.6			12.1			11.2									45
50	11.5	9	7.7	12.4	9.9		12.1			11.2			10.3				9.2		50
55	10.7	8.5	7.4	12.3	9.7		12	9.8		11.1			10.2				9		55
60	9.9	8	7.1	11.9	9.3		11.7	9.5		11			10.2				8.7		60
65	9.2	7.8	6.8	11.6	9		11.5	9.2		10.8			10.1	8.9			8.4		65
70	8.7	7.6	6.7	11.4	8.7	7.1	11.2	8.9	7.2	10.6	8.8		9.9	8.6			8.2	8.2	70
75	8.2	7.4	6.5	11.1	8.5	7	11	8.6	7	10.4	8.6	7	9.7	8.4			8	8	75
80	7.8	7.2	6.5	10.7	8.2	6.9	10.8	8.3	6.9	10.2	8.4	6.9	9.4	8.3			7.7	7.7	80
85	7.5	7	6.5	10.3	8	6.8	10.5	8.1	6.8	10.1	8.2	6.9	9.2	8.1	6.9		7.4	7.4	85
90	7.1			9.9	7.8	6.7	10.2	7.9	6.7	9.9	8	6.8	8.9	7.9	6.8		7.2	7.2	90
95				9.6	7.6	6.6	9.9	7.8	6.7	9.8	7.8	6.7	8.7	7.8	6.7		7	7	95
100				9.3	7.5	6.6	9.6	7.6	6.6	9.6	7.6	6.6	8.5	7.6	6.7		6.8	6.8	100
105				8.9	7.4	6.5	9.3	7.4	6.6	9.3	7.5	6.6	8.2	7.5	6.7		6.5	6.5	105
110				8.7	7.3	6.5	9	7.3	6.5	9.1	7.3	6.6	8	7.4	6.6		6.3	6.3	110
115				8.4	7.1	6.5	8.8	7.1	6.5	8.8	7.3	6.6	7.8	7.2	6.6		6.1	6.1	115
120				8.1	7	6.5	8.5	7	6.5	8.6	7.1	6.6	7.6	7.1	6.6		5.9	5.9	120
125				7.9	6.9	6.5	8.2	6.9	6.5	8.4	7	6.6	7.4	7	6.6		5.8	5.8	125
130				7.6	6.8	6.5	8	6.8	6.5	8.2	6.9	6.6	7.2	6.8	6.6		5.6	5.6	130
135				7.3	6.8	6.4	7.8	6.7	6.5	8	6.9	6.6	7	6.7	6.6		5.5	5.5	135
140				7	6.7	6.3	7.6	6.7	6.5	7.4	6.8	6.6	6.9	6.5	6.5		5.5	5.3	140
145				6.7	6.6	6.3	7.5	6.7	6.5	6.7	6.7	6.5	6.6	6.5	6.4		5.3	5.2	145
150				6.2	6.5	6.1	7	6.7	6.5	6.5	6.6	6.5	6.2	6.5	6.3		5.2	5.1	150
155				5.9	6.3	5.9	6.6	6.7	6.5	6.4	6.4	6.5	5.7	6.2	6.3		5	5	155
160				5.7	6	5.7	6	6.4	6.5	6	6.3	6.3	5.3	5.9	6.2		4.8	4.8	160
165				5.3	5.8		5.6	6	6.2	5.7	6.2	6.2	4.8	5.4	5.9		4.5	4.7	165
170				4.9	5.4		5.3	5.9	6.1	5.2	5.7	5.9	4.3	5	5.3		4.1	4.5	170
175								5.6	5.5	4.7	5.2	5.4	3.9	4.5	4.8		3.7	4.3	175
180								5.1	4.1	4.3	4.7	4.8	3.5	4	4.3		3.3	3.9	180
185								4.7			4.2	4.2	3.1	3.5	3.7		2.9	3.5	185
190											3.8	3.7	2.7	3.1	3.2		2.5	3	190
195													2.3	2.7	2.7		2.1	2.6	195
200													2	2.3	2.2		2.2	2.3	200
205														1.9	1.7		1.8	1.9	205

t_206_72401_01_000

Lifting heights Hauteurs de levage

TNZK



Lifting capacities Forces de levage

TVNZK



↙ ↘	38 ft + 23 ft			135 ft + 23 ft			148 ft + 23 ft			160 ft + 23 ft			171 ft + 23 ft			↙ ↘
	35 ft			35 ft			35 ft			35 ft			35 ft			
	0°	20°	40°	0°	20°	40°	0°	20°	40°	0°	20°	40°	0°	20°	40°	
15	14.3															15
16	14															16
17	13.7															17
18	13.5															18
19	13.3															19
20	13															20
22	12.6															22
24	12.2															24
26	11.8															26
28	11.5	12														28
30	11.1	11.6														30
32	10.8	11.2														32
34	10.6	10.8	11.3													34
36	10.3	10.5	10.9													36
38	10	10.2	10.5													38
40	9.7	9.9	10.2	13.2			12.6									40
45	9	9.2	9.4	12.8			12.2									45
50	8.3	8.6	8.8	12.2	11.5		11.7			11			9.2			50
55	7.8	8	8.2	11.7	10.9		11.3	10.7		10.6	10.3		8.8	8.3		55
60	7.3	7.5	7.7	11.3	10.4	10.1	10.9	10.2	9.9	10.4	9.9	9.2	8.5	8.2		60
65	6.9	6.9	7.1	10.8	10	9.8	10.5	9.8	9.5	10	9.5	9.2	8.1	8		65
70	6.5	6.5	6.7	10.4	9.7	9.4	10.2	9.4	9.2	9.8	9.2	8.9	7.9	7.7	7.7	70
75	6.1	6.1	6.2	10	9.3	9	9.8	9.1	8.8	9.5	8.9	8.6	7.6	7.4	7.4	75
80		5.7	5.4	9.7	8.9	8.7	9.4	8.7	8.5	9.2	8.6	8.4	7.3	7.1	7.2	80
85		5.3	3.9	9.3	8.6	8.3	9	8.5	8.2	8.8	8.3	8.1	7	6.9	6.8	85
90				8.9	8.3	8.1	8.7	8.3	7.9	8.6	8.3	7.8	6.8	6.8	6.6	90
95				8.5	8.1	7.9	8.4	8.1	7.7	8.4	8.1	7.7	6.5	6.5	6.4	95
100				8.2	7.9	7.7	8.2	7.9	7.5	8.2	7.7	7.5	6.3	6.3	6.2	100
105				8	7.6	7.5	8	7.6	7.5	8	7.5	7.5	6.3	6.1	5.9	105
110				7.8	7.3	7.3	7.8	7.3	7.3	7.8	7.4	7.2	6.1	5.9	5.6	110
115				7.6	7.2	7.2	7.7	7.2	7.2	7.5	7.2	6.9	6	5.7	5.5	115
120				7.2	7	7	7.4	7	7	7.3	7	6.8	5.8	5.5	5.3	120
125				7	6.8	6.8	7.1	6.8	6.8	7	6.8	6.8	5.6	5.3	5.1	125
130				6.9	6.4	6.6	6.9	6.6	6.6	6.9	6.6	6.6	5.4	5.2	4.9	130
135				6.7	6.2	6.3	6.7	6.3	6.4	6.7	6.3	6.4	5.2	5	4.9	135
140				6.5	6	6	6.5	6	6.2	6.5	6.1	6.2	5	4.9	4.8	140
145				6.3	5.8	5.9	6.3	6	6.1	6	6	6	4.8	4.8	4.7	145
150				6.1	5.7	5.8	6.1	5.9	5.9	5.4	5.7	5.7	4.6	4.7	4.6	150
155				5.9	5.6	5.7	5.7	5.7	5.7	4.9	5.3	5.3	4.4	4.5	4.5	155
160				5.7	5.5	5.6	5.3	5.4	5.5	4.4	4.8	5	4.1	4.3	4.3	160
165				5.4	5.3	5.5	4.8	5.1	5.1	3.9	4.3	4.5	3.7	4	4.1	165
170				4.9	5.1	5.1	4.3	4.6	4.7	3.5	3.8	4	3.2	3.6	3.8	170
175				4.5	4.6	4.2	3.8	4.1	4.2	3	3.3	3.5	2.8	3.2	3.4	175
180				4	4.1		3.4	3.6	3.6	2.6	2.9	3	2.4	2.7	2.9	180
185							3	3.2	3.1	2.2	2.4	2.5		2.3	2.4	185
190							2.6	2.8	2.7	1.8	2	2		1.9	2	190
195								2.4								195

t_206_91401_01_000

Lifting capacities Forces de levage

TVNZK

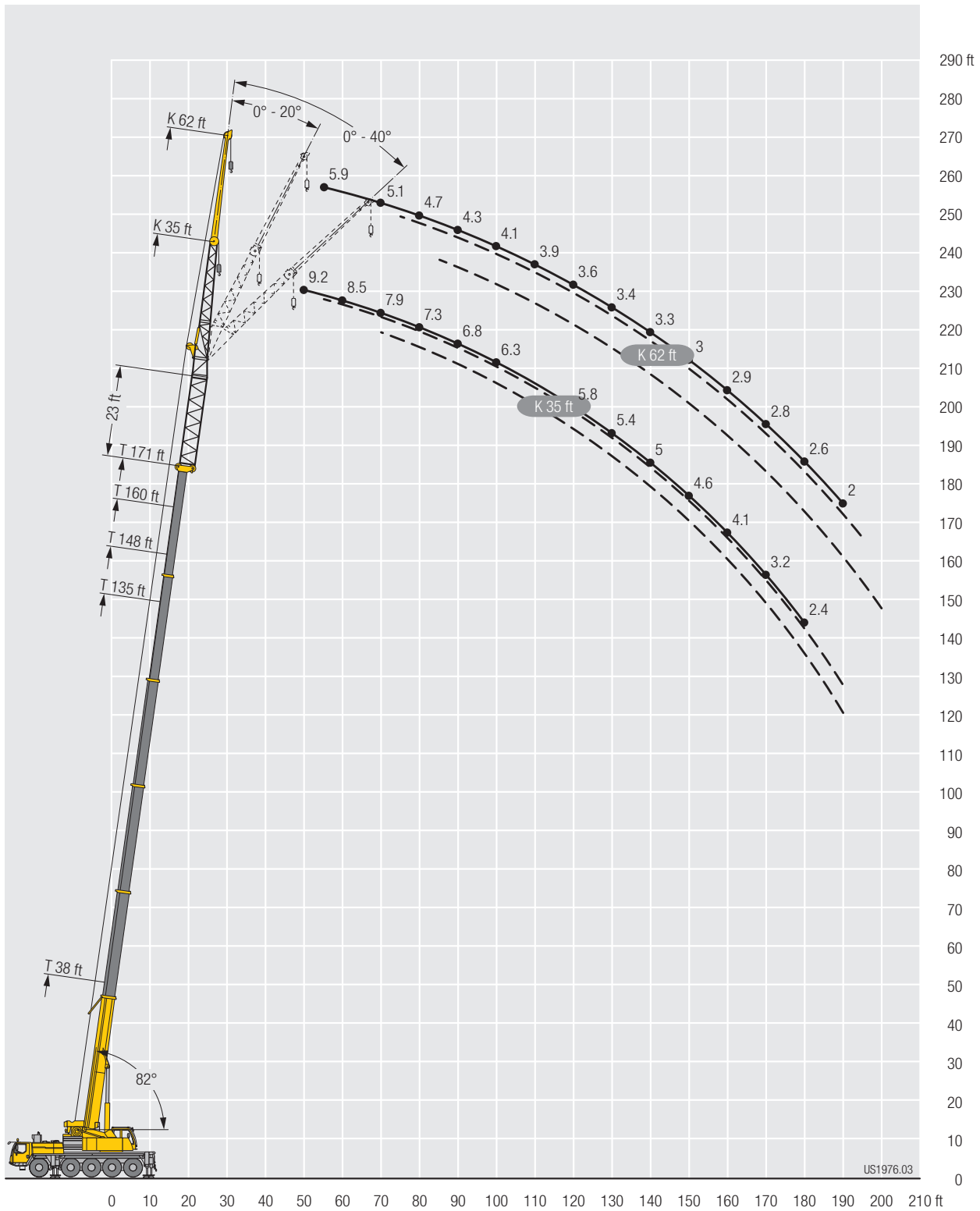


↙ ↘	38 ft + 23 ft			135 ft + 23 ft			148 ft + 23 ft			160 ft + 23 ft			171 ft + 23 ft			↙ ↘
	62 ft			62 ft			62 ft			62 ft			62 ft			
	0°	20°	40°	0°	20°	40°	0°	20°	40°	0°	20°	40°	0°	20°	40°	
26	8.2															26
28	8.2															28
30	8.3															30
32	8.1															32
34	8															34
36	7.9															36
38	7.9															38
40	7.8	8														40
45	7.2	7.7														45
50	6.8	7.3		7.7			7.3			6.6						50
55	6.4	6.9		7.5			7.3			6.6			5.9			55
60	6.1	6.5	6.7	7.5			7.3			6.6			5.6			60
65	5.7	6.2	6.4	7.5	7.3		7.1			6.6			5.4			65
70	5.5	5.8	6	7.4	7		7	6.9		6.6	6.6		5.1			70
75	5.2	5.4	5.6	7.3	6.7		7	6.6		6.6	6.5		4.8	5.5		75
80	4.9	5.1	5.3	7.1	6.6	6.1	6.7	6.3	5.9	6.5	6.3		4.7	5.3		80
85	4.7	4.9	5.1	6.7	6.3	6.1	6.4	6.1	5.8	6.4	6.1	5.8	4.5	5.1	4.6	85
90	4.5	4.7	4.9	6.4	6.1	5.9	6.1	5.9	5.8	6.2	5.9	5.7	4.3	4.9	4.6	90
95	4.3	4.5	4.7	6.2	5.7	5.7	6	5.7	5.7	6	5.7	5.5	4.2	4.8	4.6	95
100	4.1	4.3	4.6	6	5.6	5.5	5.8	5.6	5.6	5.8	5.6	5.3	4.1	4.6	4.6	100
105	3.9	4.1	4.3	5.7	5.4	5.4	5.6	5.4	5.4	5.6	5.4	5.1	3.9	4.4	4.6	105
110	3.7	3.9		5.4	5.2	5.2	5.4	5.2	5.2	5.4	5.2	4.9	3.9	4.3	4.4	110
115				5.2	5	5	5.2	5	5	5.3	5	4.9	3.8	4.3	4.3	115
120				5.1	4.8	4.8	5.1	4.8	4.8	5.1	4.8	4.8	3.6	4.1	4.1	120
125				4.9	4.7	4.6	5.1	4.7	4.6	5.1	4.6	4.6	3.5	3.9	3.9	125
130				4.9	4.6	4.6	4.9	4.6	4.6	4.9	4.5	4.4	3.4	3.7	3.8	130
135				4.7	4.5	4.6	4.8	4.5	4.6	4.8	4.4	4.4	3.4	3.7	3.8	135
140				4.6	4.3	4.5	4.6	4.3	4.5	4.6	4.3	4.4	3.3	3.6	3.6	140
145				4.4	4.2	4.4	4.4	4.1	4.4	4.4	4.2	4.4	3.2	3.4	3.5	145
150				4.2	4.1	4.4	4.2	4.1	4.3	4.2	4.1	4.4	3	3.2	3.4	150
155				4.1	4.1	4.2	4.1	4.1	4.2	4.1	4	4.2	2.9	3.1	3.3	155
160				4	4.1	4.1	4	4.1	4.1	4.1	3.9	4.1	2.9	3.1	3.2	160
165				3.9	4.1	4.1	3.9	4.1	4.1	3.9	3.9	4.1	2.8	2.9	3.2	165
170				3.7	4	4.1	3.9	4	4.1	3.8	3.7	3.9	2.8	2.9	3.2	170
175				3.6	3.9	4	3.8	3.9	4	3.4	3.6	3.9	2.7	2.8	3.1	175
180				3.5	3.7	3.8	3.7	3.9	3.9	3	3.5	3.8	2.6	2.7	3.1	180
185				3.5	3.7	3.6	3.5	3.8	3.9	2.7	3.3	3.5	2.3	2.6	2.9	185
190				3.4	3.6	3.6	3.1	3.5	3.7	2.3	2.9	3.2	2	2.6	2.7	190
195				3.2	3.5	3.5	2.8	3.2	3.4	2	2.5	2.8		2.3	2.6	195
200				3	3.3	3.1	2.4	2.8	2.9		2.1	2.3			2.2	200
205				2.7	2.9		2.1	2.4	2.4							205
210				2.4	2.5		1.8	2.1	2							210

t_206_92401_01_000

Lifting heights Hauteurs de levage

TVNZK



Lifting capacities Forces de levage

TVNZK



↙ ↘	38 ft + 46 ft			135 ft + 46 ft			148 ft + 46 ft			160 ft + 46 ft			171 ft + 46 ft			↙ ↘
	35 ft			35 ft			35 ft			35 ft			35 ft			
	0°	20°	40°	0°	20°	40°	0°	20°	40°	0°	20°	40°	0°	20°	40°	
20	10.1															20
22	9.8															22
24	9.4															24
26	9.1															26
28	8.9															28
30	8.7	9.2														30
32	8.5	8.9														32
34	8.2	8.7														34
36	8	8.4														36
38	7.7	8.2														38
40	7.5	8	8.2													40
45	7.2	7.4	7.7													45
50	6.6	6.9	7.1	8.8			8.6			7.5						50
55	6.2	6.4	6.6	8.4	8		8.2	7.5		7.5			5.8			55
60	5.8	6	6	8.2	7.5	7.3	8	7.5		7.5	7.2		5.8	5.8		60
65	5.4	5.6	5.6	7.9	7.3	7.3	7.6	7.1		7.3	6.9		5.8	5.8		65
70	5	5.3	5.3	7.5	7.1	7	7.4	6.9	6.9	7.1	6.6	6.6	5.7	5.7	5.6	70
75	4.8	4.9	5	7.2	6.9	6.7	7.1	6.7	6.6	6.9	6.4	6.4	5.5	5.5	5.5	75
80	4.6	4.6	4.8	6.9	6.5	6.5	6.8	6.5	6.3	6.6	6.1	6	5.3	5.3	5.3	80
85	4.4	4.4	4.4	6.7	6.1	6.1	6.6	6.2	6.1	6.3	5.9	5.8	5	4.9	5.1	85
90	4.2	4.2	4.2	6.4	5.9	5.9	6.4	5.9	5.9	6.2	5.7	5.7	4.7	4.7	4.9	90
95	3.9	4	3.9	6.2	5.8	5.7	6.1	5.8	5.6	6	5.5	5.5	4.5	4.5	4.8	95
100	3.6	3.8	3.6	6	5.8	5.5	5.8	5.7	5.4	5.8	5.4	5.4	4.3	4.3	4.6	100
105	3.4	3.4	3.4	5.7	5.6	5.3	5.6	5.4	5.3	5.6	5.3	5.3	4.1	4.1	4.4	105
110				5.4	5.2	5.2	5.4	5.2	5.2	5.4	5.2	5.2	4	3.9	4.2	110
115				5.2	5	5	5.2	5	5	5.2	5	5	3.8	3.8	4	115
120				5	4.8	4.8	5	4.9	4.8	5	4.8	4.8	3.6	3.7	3.8	120
125				4.9	4.7	4.6	4.9	4.8	4.7	4.9	4.7	4.6	3.6	3.6	3.6	125
130				4.7	4.6	4.5	4.7	4.7	4.6	4.7	4.6	4.4	3.5	3.5	3.5	130
135				4.6	4.5	4.4	4.6	4.5	4.5	4.6	4.5	4.4	3.4	3.3	3.3	135
140				4.5	4.3	4.3	4.6	4.3	4.3	4.5	4.3	4.3	3.3	3.2	3.2	140
145				4.5	4.1	4.1	4.6	4.1	4.1	4.4	4.2	4.2	3.2	3.1	3.1	145
150				4.4	4	3.9	4.4	4	3.9	4.4	4.1	4.1	3.1	3	3	150
155				4.2	3.9	3.9	4.3	3.9	3.7	4.2	4	4	3	2.8	2.9	155
160				4.1	3.8	3.9	4.1	3.8	3.6	3.8	3.8	3.8	2.9	2.7	2.9	160
165				4	3.7	3.8	4	3.6	3.6	3.4	3.6	3.7	2.8	2.6	2.8	165
170				3.8	3.6	3.7	3.9	3.6	3.6	3	3.3	3.4	2.5	2.5	2.7	170
175				3.7	3.5	3.5	3.5	3.5	3.6	2.6	2.9	3.1	2.2	2.3	2.6	175
180				3.5	3.3	3.4	3.1	3.2	3.4	2.2	2.5	2.7		2.2	2.3	180
185				3.2	3.1	3.3	2.7	3	3		2.1	2.3			2.1	185
190				2.9	2.9	3.1	2.3	2.5	2.6		1.8	1.9			1.7	190
195				2.5	2.7	2.7	1.9	2.1	2.2							195
200				2.2	2.3	2.2										200

t_206_93401_01_000

Lifting capacities Forces de levage

TVNZK

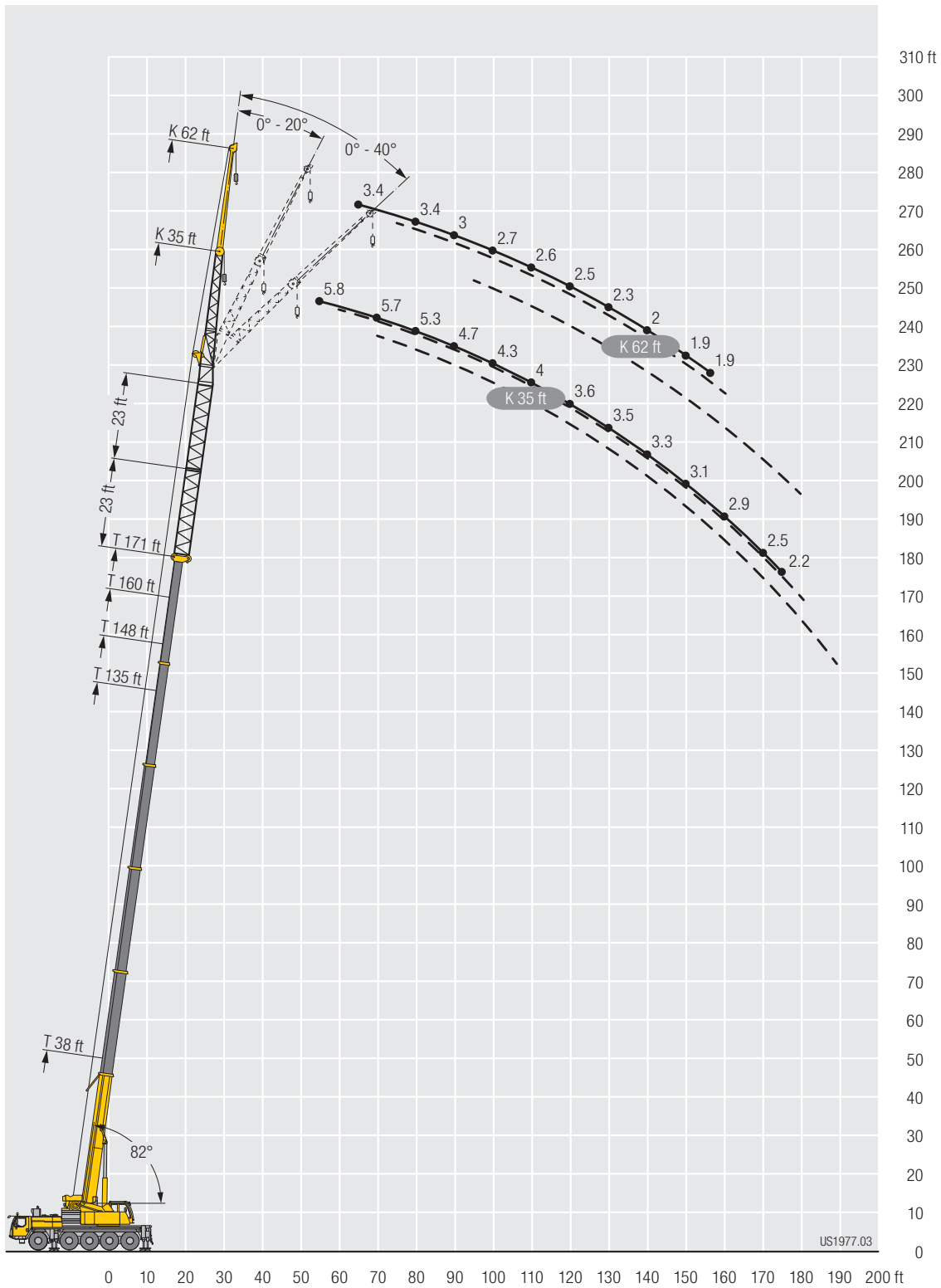


↙ ↘	38 ft + 46 ft			135 ft + 46 ft			148 ft + 46 ft			160 ft + 46 ft			171 ft + 46 ft			↙ ↘
	62 ft			62 ft			62 ft			62 ft			62 ft			
	0°	20°	40°	0°	20°	40°	0°	20°	40°	0°	20°	40°	0°	20°	40°	
26	8.5															26
28	8.5															28
30	8.5															30
32	8.5															32
34	8.4															34
36	8.3															36
38	8															38
40	7.8															40
45	7.4															45
50	7.1	7		6.2												50
55	6.7	6.9		6			5.7			4.9						55
60	6.3	6.5	7	5.8			5.6			4.9						60
65	6	6.2	6.7	5.7			5.4			4.9			3.4			65
70	5.6	5.8	6.3	5.5	5.3		5.2			4.9			3.4			70
75	5.3	5.5	5.9	5.3	5.2		5	4.9		4.8	4.6		3.4	3.6		75
80	5.1	5.3	5.5	5.1	4.8		4.8	4.8		4.6	4.6		3.4	3.6		80
85	4.7	5	5.2	4.9	4.7	4.6	4.7	4.7	4.4	4.4	4.4	4.1	3.2	3.6		85
90	4.5	4.7	4.9	4.7	4.5	4.5	4.5	4.5	4.4	4.3	4.2	4.1	3	3.6		90
95	4.4	4.5	4.7	4.5	4.3	4.3	4.3	4.3	4.3	4.1	4	4	2.8	3.6	3.2	95
100	4.3	4.3	4.3	4.4	4.1	4.1	4.1	4.1	4.1	4	3.9	3.8	2.7	3.4	3.1	100
105	4.1	4.2	4.1	4.2	3.9	3.9	3.9	3.9	3.9	3.9	3.8	3.7	2.7	3.2	3	105
110	3.8	4	3.9	4	3.7	3.7	3.9	3.7	3.7	3.7	3.7	3.6	2.6	3.1	2.9	110
115	3.6	3.8	3.6	3.8	3.5	3.7	3.8	3.5	3.6	3.6	3.6	3.5	2.5	3	2.9	115
120	3.6	3.6	3.3	3.6	3.4	3.5	3.6	3.5	3.4	3.4	3.6	3.4	2.5	2.9	2.9	120
125	3.4	3.4	2.9	3.4	3.4	3.4	3.4	3.4	3.3	3.3	3.5	3.2	2.4	2.7	2.8	125
130	3	3	2.5	3.2	3.2	3.2	3.2	3.2	3.3	3.2	3.3	3.1	2.3	2.5	2.7	130
135		2.8		3.2	3	3	3.2	3	3.1	3.1	3.1	3.1	2.1	2.4	2.5	135
140				3.1	2.9	2.9	3.1	2.9	3.1	3	3	2.9	2	2.3	2.5	140
145				2.9	2.9	2.9	2.9	2.9	3	2.9	2.9	2.9	1.9	2.3	2.4	145
150				2.7	2.9	2.9	2.7	2.9	2.9	2.7	2.9	2.9	1.9	2.2	2.4	150
155				2.7	2.8	2.9	2.7	2.9	2.9	2.7	2.9	2.9	1.9	2	2.4	155
160				2.6	2.7	2.8	2.7	2.9	2.8	2.7	2.9	2.8		2	2.4	160
165				2.5	2.6	2.7	2.7	2.7	2.7	2.7	2.7	2.7			2.2	165
170				2.4	2.5	2.7	2.7	2.7	2.6	2.6	2.6	2.6			2.1	170
175				2.4	2.5	2.5	2.7	2.5	2.5	2.5	2.6	2.5			2	175
180				2.4	2.4	2.4	2.6	2.4	2.4	2.3	2.4	2.4			2	180
185				2.4	2.3	2.4	2.5	2.3	2.4	2	2.4	2.4				185
190				2.4	2.2	2.4	2.4	2.2	2.3	1.7	2.2	2.4				190
195				2.4	2.1	2.2	2.2	2.2	2.3		1.9	2.2				195
200				2.4	2.1	2.1	1.9	2.2	2.2			1.9				200
205				2.2	2			2	2.2							205
210				1.9	1.9			1.8	1.9							210
215					1.9											215

t_206_94401_01_000

Lifting heights Hauteurs de levage

TVNZK



Lifting capacities Forces de levage

TK

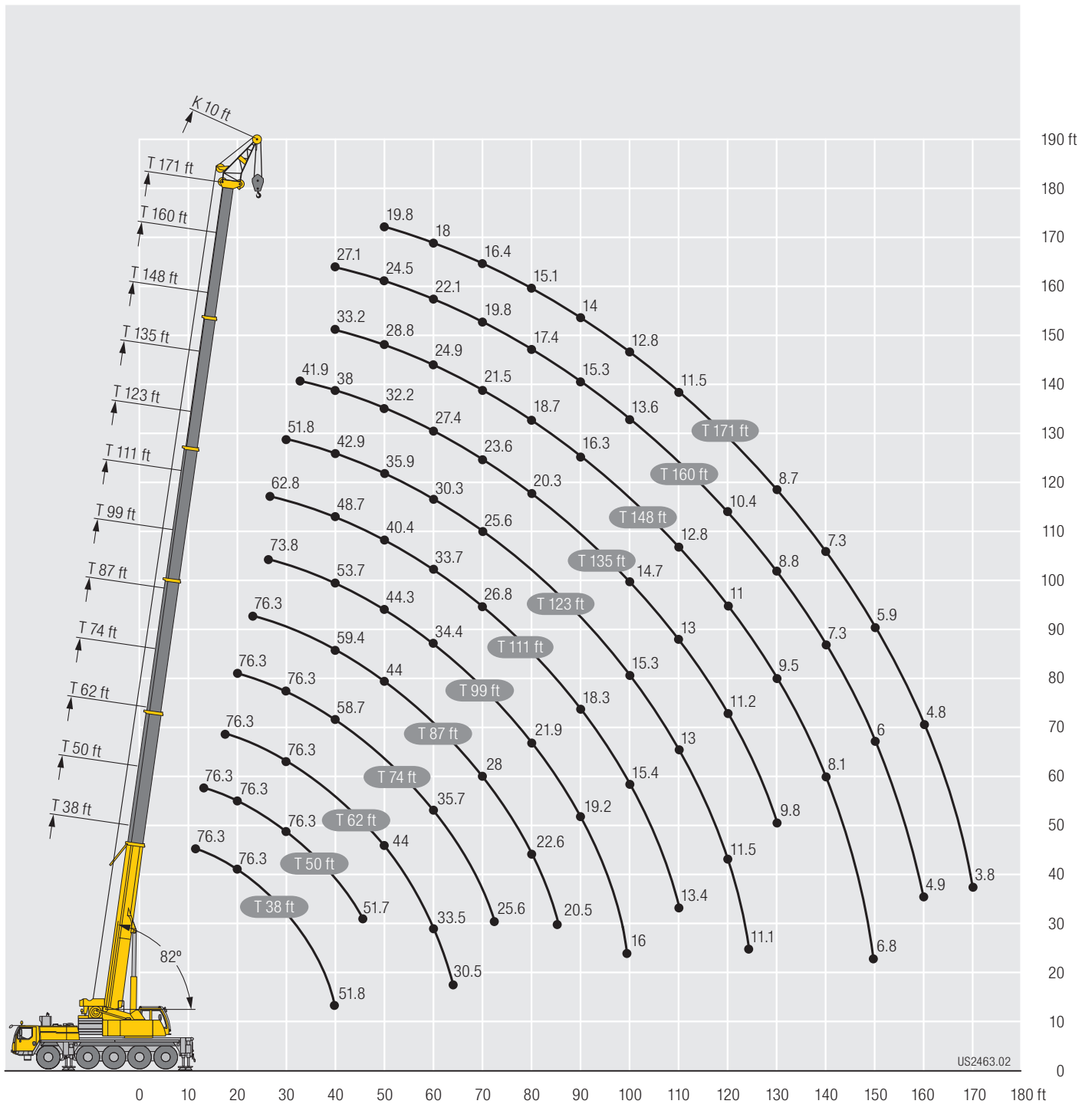


	38 ft	50 ft	62 ft	74 ft	87 ft	99 ft	111 ft	123 ft	135 ft	148 ft	160 ft	171 ft	
	10 ft												
12	76.3												12
13	76.3	76.3											13
14	76.3	76.3											14
15	76.3	76.3											15
16	76.3	76.3	76.3										16
17	76.3	76.3	76.3										17
18	76.3	76.3	76.3										18
19	76.3	76.3	76.3										19
20	76.3	76.3	76.3	76.3									20
22	76.3	76.3	76.3	76.3									22
24	76.3	76.3	76.3	76.3	76.3								24
26	76.3	76.3	76.3	76.3	76.3	73.8	62.8						26
28	76.3	76.3	76.3	76.3	76.3	70.4	61						28
30	74.9	76.3	76.3	76.3	76.3	67	59.2	51.8					30
32	71.1	76.3	76.3	76	75.6	64	57.2	49.9					32
34	66.9	73.9	73.1	72.5	72.2	61.2	54.9	48	41.9				34
36	62.6	69.2	68.3	67.5	67.9	58.5	52.7	46.2	40.6				36
38	58.3	64.7	63.7	62.8	63.3	56.1	50.6	44.5	39.3				38
40	51.8	60.4	59.5	58.7	59.4	53.7	48.7	42.9	38	33.2	27.1		40
45		51.7	50.9	50.3	50.9	48.7	44.3	39.2	34.9	31	25.8		45
50			44	43.4	44	44.3	40.4	35.9	32.2	28.8	24.5	19.8	50
55			38.2	38.7	40	39.1	37	32.9	29.7	26.8	23.3	18.9	55
60			33.5	35.7	35.3	34.4	33.7	30.3	27.4	24.9	22.1	18	60
65			30.5	31.8	31.4	30.4	30.1	28	25.4	23.1	21	17.2	65
70				28.4	28	27.3	26.8	25.6	23.6	21.5	19.8	16.4	70
75				25.6	25.1	24.4	24.1	23.8	21.8	20.1	18.6	15.7	75
80					22.6	21.9	22.4	21.5	20.3	18.7	17.4	15.1	80
85					20.5	20.5	20.2	19.3	18.8	17.5	16.3	14.5	85
90						19.2	18.3	17.5	17.7	16.3	15.3	14	90
95						17.5	16.6	16.2	16.2	15.2	14.4	13.5	95
100						16	15.4	15.3	14.7	14.4	13.6	12.8	100
105							14.3	14.1	13.8	13.7	12.8	12.2	105
110							13.4	13	13	12.8	12.1	11.5	110
115								12.1	12	11.9	11.3	10.9	115
120								11.5	11.2	11	10.4	10.3	120
125								11.1	10.5	10.2	9.6	9.5	125
130									9.8	9.5	8.8	8.7	130
135										8.8	8.1	8	135
140										8.1	7.3	7.3	140
145										7.5	6.6	6.6	145
150										6.8	6	5.9	150
155											5.4	5.4	155
160											4.9	4.8	160
165												4.3	165
170												3.8	170

t_206_80001_01_000

Lifting heights Hauteurs de levage

TK



Equipment Equipment

Crane carrier

Frame	Liebherr designed and manufactured, box-type, torsion resistant design of hightensile fine grained structural steel.
Outriggers	4-point supporting system, hydraulically telescopic into horizontal and vertical direction. Operation with remote control, automatic support leveling, electronic inclination display.
Engine	6-cylinder Diesel, make Liebherr, watercooled, output 400 kW (544 h.p.), max. torque 1856 lbs-ft. Exhaust emissions acc. to 97/68/EG, EPA/CARB, ECE-R.96. Fuel reservoir: 127 gallons.
Transmission	ZF 12-speed gear box with automatic control system. ZF-intarder fitted directly to the gear. Two-stage transfer case with lockable transfer differential.
Axles	Low maintenance carrier axles, all 5 axles steered. Axle 2, 4 and 5 are equipped with planetary gears, all driven axles with transverse differential locks, axle 4 with longitudinal differential lock.
Cardan shaft	All cardan shafts with 70° diagonal toothing and maintenance free.
Suspension	All axles are mounted on hydropneumatic suspension – “Niveaumatik suspension” and are lockable hydraulically.
Tyres	10 tyres, size: 445/95 R 25 (16.00 R 25).
Steering	2-circuit system with hydraulic servo steering. Active speed depending rear axle steering, special steering programs for various driving situations.
Brakes	Service brake: all-wheel servo-air brake, all axles are equipped with disc brakes, dual circuit. Parking brake: Spring brake actuator, acting on the wheels of the 2nd to 5th axle. Sustained-action brakes: Engine brake as exhaust retarder with Liebherr additional brake system ZBS. Intarder on gear.
Driver's cab	Spacious corrosion resistant with comfort furnishings, mounted on rubber shock absorbers, safety glazing.
Electrical system	Modern data bus technique, 24 Volt DC, 2 batteries of 170 Ah each.

Crane superstructure

Frame	Liebherr-manufactured, torsionally rigid steel construction made from high-tensile fine-grain steel. Triple-roller slewing rim.
Crane engine	4-cylinder Diesel, make Liebherr, watercooled, output 129 kW (175 h.p.), max. torque 908 lbs-ft. Exhaust emissions acc. to 97/68/EG, EPA/CARB, ECE-R.96. Fuel reservoir: 66 gallons.
Crane drive	Diesel-hydraulic by 1 axial piston variable displacement twin pump with servo control and power regulation.
Control	Electric “Load Sensing” control, simultaneous operation of 4 working motions, 2 self-centering hand control levers (joy-stick type).
Hoist gear	Axial piston fixed displacement motor, Liebherr hoist drum with integrated planetary gear and spring-loaded static brake.
Luffing gear	1 differential ram with pilot-controlled brake valve.
Slewing gear	Axial piston fixed displacement motor, planetary gear, spring-loaded static brake. Slewing gear invertible from released to locked as a standard feature.
Crane cab	Large screen area, compound glass, comfort furnishing, cabin tiltable 20° to rear.

Safety devices	LICCON2 safe load indicator, test system hoist limit switch, safety valves to prevent pipe and hose ruptures.
Telescopic boom	1 base section and 5 telescopic sections. All telescopic sections hydraulically extendable independent of one another. Rapid-cycle telescoping system TELEMATIK. Boom length: 38 ft – 171 ft.
Counterweight	33,100 lbs
Electrical system	Modern data bus technique, 24 Volt DC, 2 batteries of 170 Ah each.

Operating modes

K	Erection jib 10 ft Double swing-away jib 35 ft – 62 ft Adjustment 0°, 20°, 40°
NZK	Hydraulically adjustable swing-away jib 35 ft – 62 ft Hydraulically adjustment 0° – 40°
V	Telescopic boom extension 2 x 23 ft

Additional equipment

2nd hoist gear	For two-hook operation or for operation with swing-away jib if the hoist rope shall remain reeved.
Additional counterweight	44,100 lbs for a total counterweight of 77,200 lbs.
Tyres	10 tyres, size 525/80 R 25 (20.5 R 25).
Drive 10 x 8	Additional drive of the 1st axle.

Other items of equipment available on request.

The pictures contain also accessories and special equipment not included in the standard scope of delivery.

Equipment Equipment

Châssis porteur

Cadre	Fabrication Liebherr, construction en caisson indéformable, en acier à haute résistance à grains fins.
Calage	Dispositif de calage horizontal et vertical en 4 points, entièrement déployable hydrauliquement. Utilisation avec commande à distance, mise à niveau automatique du calage, inclinomètre électronique.
Moteur	Moteur diesel, 6 cylindres, fabriqué par Liebherr, à refroidissement par eau, de 400 kW (544 ch), couple max. 1856 lbs-ft. Emissions des gaz d'échappement conformes aux directives 97/68/EG, EPA/CARB, ECE-R.96. Capacité du réservoir à carburant: 127 gallons.
Boîte de vitesse	Boîte de vitesses ZF à 12 rapports, mécanisme automatisé à commande. Ralentisseur hydrodynamique ZF directement accouplé à la boîte. Boîte de transfert à 2 étages avec blocage de différentiel.
Essieux	Essieux nécessitant peu d'entretien, les 5 essieux sont directeurs. Les essieux 2, 4 et 5 sont des essieux planétaires, tous les essieux moteurs avec différentiel transversal et l'essieu 4 avec différentiel longitudinal.
Arbres articulés	Tous les flasques de croisillons avec denture en croix 70° et sans entretien.
Suspension	Suspension hydropneumatique «Niveaumatik» – sur tous les essieux. Chaque essieu peut être bloqué hydrauliquement.
Pneumatiques	10 pneus de taille: 445/95 R 25 (16.00 R 25).
Direction	2 circuits avec direction assistée hydraulique. Direction active des essieux arrière et dépendante de la vitesse, programmes de direction spéciaux pour les différents modes de déplacement.
Freins	Freins de service: servofrein à air comprimé, tous les essieux sont munis de freins à disque, à 2 circuits. Frein à main: ressort accumulé agissant sur les roues des essieux 2 à 5. Freins continus: frein moteur par clapet sur échappement avec système de ralentissement Liebherr ZBS. Ralentisseur hydrodynamique accouplé à la boîte de vitesses.
Cabine	Spacieuse cabine, traitement anticorrosion, équipement «grand confort», suspension par silentbloks, vitrage de sécurité.
Installation électrique	Technique moderne de transmission de données par BUS de données, courant continu 24 Volts, 2 batteries de 170 Ah chacune.

Partie tournante

Cadre	Fabrication Liebherr, construction soudée indéformable, en acier à grain fin haute résistance. Couronne d'orientation à triple rangée de rouleaux.
Moteur	Moteur diesel Liebherr, 4 cylindres, à refroidissement par eau, de 129 kW (175 ch), couple max. 908 lbs-ft. Emissions des gaz d'échappement conformes aux directives 97/68/EG, EPA/CARB, ECE-R.96. Capacité du réservoir à carburant: 66 gallons.
Entraînement	Diesel-hydraulique avec 1 double pompe à débit variable à pistons axiaux avec servocommande et régulation de puissance.

Commande	Direction électrique «Load Sensing», 4 mouvements de travail dirigeable simultanément, deux leviers de commande à 4 positions et à autocentrage.
Mécanisme de levage	Moteur à cylindrée constante et à pistons axiaux. Treuil de marque Liebherr équipé d'un engrenage planétaire et d'un frein d'arrêt commandé par ressort.
Mécanisme de relevage	1 vérin différentiel avec clapet de frein commandé.
Dispositif de rotation	Moteur à cylindrée constante à pistons axiaux, engrenage planétaire, frein d'arrêt commandé par ressort. Orientation de série commutable en circuit hydraulique ouvert ou fermé (freinage automatique ou au pied).
Cabine de grue	Large champ de vision, vitrage de sécurité, équipement pour un confort idéal, cabine inclinable de 20° vers l'arrière.
Dispositif de sécurité	Contrôleur de charge «LICCON2», système test limitation de la course pour le levage, soupape de sûreté contre la rupture de tubes et de tuyaux.
Flèche télescopique	1 élément de base et 5 éléments télescopiques. Tous les éléments télescopiques indépendamment les uns des autres. Système de télescopage séquentiel rapide, TELEMATIK. Longueur de flèche: 38 ft – 171 ft.
Contrepoids	33,100 lbs
Installation électrique	Technique moderne de transmission de données par BUS de données. Courant continu 24 Volts, 2 batteries de 170 Ah chacune.

Modes de fonctionnement

K	Fléchette de montage 10 ft Double fléchette pliante 35 ft – 62 ft Positionnement à 0°, 20°, 40°
NZK	Fléchette pliante à positionnement hydraulique 35 ft – 62 ft Positionnement hydraulique à 0° – 40°
V	Rallonge flèche télescopique 2 x 23 ft

Équipement supplémentaire

2ème mécanisme de levage	Pour l'utilisation du deuxième crochet, ou bien pour une utilisation avec fléchette pliante lorsque le câble de levage principal rest mouflé.
Contrepoids additionnel	44,100 lbs pour un contrepoids total de 77,200 lbs.
Pneumatiques	10 pneus. Taille: 525/80 R 25 (20.5 R 25).
Entraînement 10 x 8	Essieu 1 est entraîné additionnellement.

Autres équipements supplémentaires sur demande.

Les figures contiennent également des accessoires et des équipements spéciaux non inclus de série dans la livraison.

Description of symbols

Explication des symboles

General symbols/Symboles généraux



Outriggers
Calage



Axle
Essieu



Radius
Portée



Boom length
Longueur de la flèche



Boom position
Position de la flèche



Counterweight
Contrepoids



Tyres
Pneumatiques



Slewing gear / Working area
Mécanisme d'orientation / Plage de travail



Standard
Norme



Driving speed
Vitesse de translation



Driving speed – Onroad gear
Vitesse de translation – Vitesse de route



Driving speed – Crawl speed
Vitesse de translation – Marche lente



Max. lifting capacity
Capacité max.



Transmission
Boîte de vitesse



Gear
Vitesse



Hookblock / Capacity
Moufle à crochet / Capacité de charge



Hoist gear
Treuil de levage



Crane carrier
Châssis porteur



Crane superstructure
Partie tournante de la grue



Gradability
Aptitude à gravir les pentes

Crane specific symbols/Symboles spécifiques à la grue



Telescopic boom
Flèche télescopique



Hydraulic swing away jib
Fléchette pliante hydraulique



Swing away jib
Fléchette pliante



Erection jib
Fléchette de montage



Telescopic boom extension
Rallonge flèche télescopique



Printed in Germany (1) | we-td-206-00-us11-2017

Subject to modification / Sous réserve de modifications

Liebherr-Werk Ehingen GmbH

Postfach 1361, 89582 Ehingen, Germany

☎ +49 73 91 5 02-0, Fax +49 73 91 5 02-33 99

www.liebherr.com, E-mail: info.lwe@liebherr.com

www.facebook.com/LiebherrConstruction